

Alüminyum'un Sanata Dönüşümü...



Aluminum Profile Systems

BİO - PERGOLA SİSTEMİ

BIO - PERGOLA SYSTEMS



www.kenanmetal.com



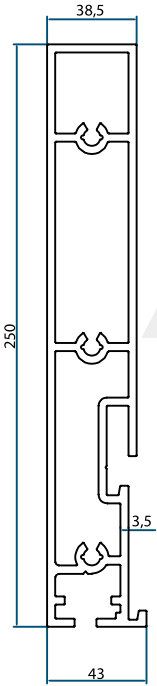
Aluminum Profile Systems

Alüminyum Mimari Sistemler

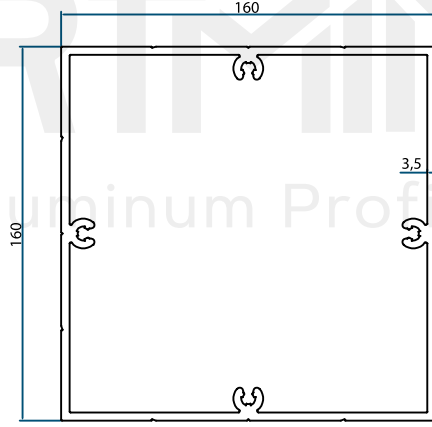
Modern mimari projelerin ihtiyaç duyduğu spesifik alüminyum mimari çözümleri...



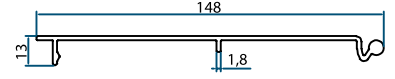
www.kenanmetal.com



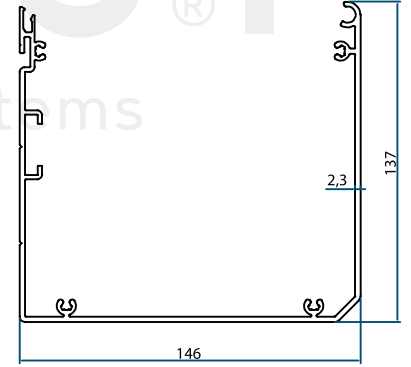
Cod: 2088 - 7,213 kg/m
250'lik Oluk Dikmesi
250' Groove Sewing



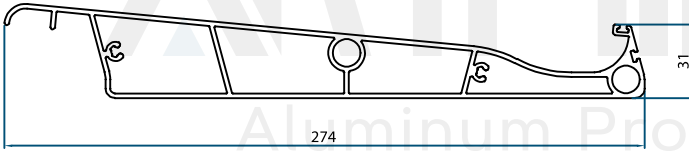
Cod: 2087 - 6,819 kg/m
160x160 Dikme Profili
160x160 Sewing Profile



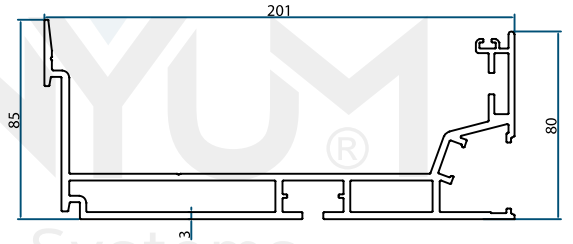
Cod: 2091 - 0,915 kg/m
Motor Kutusu Kapağı
Engine Box Cover



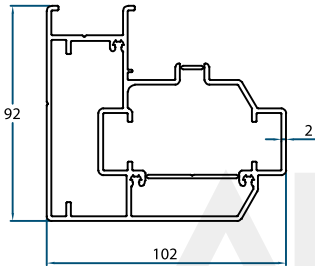
Cod: 2090 - 3,075 kg/m
Motor Kutusu
Engine Box



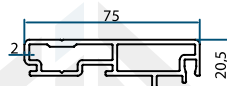
Cod: 2096 - 3,997 kg/m
Panel Profili
Panel Profile



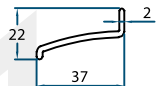
Cod: 2089 - 4,950 kg/m
Oluk Ek
Additional Gutter



Cod: 2279 - 3,005 kg/m
Ray Profili
Rail Profile



Cod: 2280 - 1,150 kg/m
Ray Üstü Kapak Profili
Rail Top Cover Profile



Cod: 2092 - 0,323 kg/m
Panel Arkası
Behind the Panel



250'lik Oluk Dikmesi
250 Groove Sewing

Product Code: 2088

Weight kg/m: 7,213
(250 x 38,5 x 3,5 mm)



Oluk Ek
Additional Gutter

Product Code: 2089

Weight kg/m: 4,950
(85 x 201 x 3 mm)



160x160 Dikme Profili
160x160 Sewing Profile

Product Code: 2087

Weight kg/m: 6,819
(160 x 160 x 3,5 mm)



Motor Kutusu Kapađı
Engine Box Cover

Product Code: 2091

Weight kg/m: 0,915
(13 x 148 x 1,8 mm)



Motor Kutusu
Engine Box

Product Code: 2090

Weight kg/m: 3,075
(146 x 137 x 2,3 mm)



Panel Profili
Panel Profile

Product Code: 2096

Weight kg/m: 3,997
(274 x 31 x 2 mm)



Ray Üstü Kapak Profili
Rail Top Cover Profile

Product Code: 2280

Weight kg/m: 1,150
(75 x 20,5 x 2 mm)



Ray Profili
Rail Profile

Product Code: 2279

Weight kg/m: 3,005
(102 x 92 x 2 mm)



Panel Arkası
Behind the Panel

Product Code: 2092

Weight kg/m: 0,323
(37 x 22 x 2 mm)



Motor Yan Kapağı Sağ
Engine Side Cover Right

Product Code: B20-001

Box Piece:



Motor Yan Kapağı Sol
Engine Side Cover Left

Product Code: B20-002

Box Piece:



Panel Yan Kapak Sağ
Panel Side Cover Right

Product Code: B20-003

Box Piece:



Panel Yan Kapak Sol
Panel Side Cover Left

Product Code: B20-004

Box Piece:



Panel Makas Kasnağı Sağ
Engine Side Cover Right

Product Code: B20-005

Box Piece:



Panel Makas Kasnağı Sol
Engine Side Cover Left

Product Code: B20-006

Box Piece:



Köşe Birleştirici İç
Corner Joiner Interior

Product Code: B20-007

Box Piece:



Köşe Birleştirici Dış
Corner Joiner outer

Product Code: B20-008

Box Piece:



Sekizgen Dişli
Octagonal Gear

Product Code: B20-009

Box Piece:



Led
Led

Product Code: B20-010

Box Piece:



Triger Kayış
Timing Belt

Product Code: B20-011

Box Piece:



Rulman
Roller

Product Code: B20-012

Box Piece:



Rulman Yatağı
Bearing Housing

Product Code: B20-013

Box Piece:



Yetmişlik Boru Başı
Seventy Pipe Head

Product Code: B20-014

Box Piece:



Dış Trafo
External Transformer

Product Code: B20-015

Box Piece:



Kayış Çekme Aparatı
Belt Pulling Apparatus

Product Code: B20-016

Box Piece:



Panel Sabitleme Sağ
Panel Fixing Right

Product Code: B20-017

Box Piece:



Kayış İtme Aparatı
Belt Pusher

Product Code: B20-018

Box Piece:



Kayış Germe Paslanmaz Sağ
Belt Tensioning Stainless Right

Product Code: B20-019

Box Piece:



Panel Tekerli Saplama
(10MMx115MM)
Panel Wheel Stud
(10MMx115MM)

Product Code: B20-020

Box Piece:



Panel Tekerli Saplama
(12mmX55MM)
Panel Wheel Stud
(12mmX55MM)

Product Code: B20-021

Box Piece:



Panel Üst Ön Saplama
Panel Top Front Stud

Product Code: B20-022

Box Piece:



Panel Orta Saplama
Panel Center Stud

Product Code: B20-023

Box Piece:



Panel Teker Ve Orta Uzun Burç
Panel Wheel And Medium Long Bushing

Product Code: B20-024

Box Piece:



Panel Kapak Uzun Burç
Panel Cover Long Bushing

Product Code: B20-025

Box Piece:



Panel Kapak Kısa Burç
Panel Cover Short Bushing

Product Code: B20-026

Box Piece:



Panel Kapak Onikilik Kısa Burç
Panel Cover Twelve Short Bushing

Product Code: B20-027

Box Piece:



Makas Kasnak Uzun Burç
Scissors Pulley Long Bushing

Product Code: B20-028

Box Piece:



Led Kapak
Led Cover

Product Code: B20-029

Box Piece:



Ray Kanal Plastiği
Rail Channel Plastic

Product Code: B20-030

Box Piece:



Dikme Köşe Üst Kapak
Strut Corner Top Cover

Product Code: B20-031

Box Piece:



Köşe Ayak Üst Bağlantı
Corner Foot Top Connection

Product Code: B20-032

Box Piece:



Öşe Ayak Alt Bağlantı
Corner Foot Bottom Connection

Product Code: B20-033

Box Piece:



Köşe Ayak Orta Üst Bağlantı
Corner Foot Middle Upper Connection

Product Code: B20-034

Box Piece:



Orta Ayak Üst Bağlantı
Middle Foot Upper Connection

Product Code: B20-035

Box Piece:



Köşe ve Orta Ayak Alt Bağlantı
Corner and Middle Bottom Connection

Product Code: B20-036

Box Piece:



Ray Ön Kayış Ayar Kapak
Rail Front Belt Adjustment Cover

Product Code: B20-037

Box Piece:



Yetmişlik Boru
Seventy Pipe

Product Code: B20-038

Box Piece:



Ray Kıl Fırçası
Rail Bristle Brush

Product Code: B20-039

Box Piece:



Panel EPDM Contası
Panel EPDM Gasket

Product Code: B20-040

Box Piece:



Oluk EPDM Contası
Groove EPDM Gasket

Product Code: B20-041

Box Piece:



M8x40 Özel Köşe Civatası
M8x40 Special Corner Bolt

Product Code: B20-044

Box Piece:



M8x20 Havşa İmbus Paslanmaz
M8x20 Countersunk Imbus Stainless

Product Code: B20-045

Box Piece:



6,3X32 YHB (İnox Saç Vidası)
6,3x32 YHB (Inox Hair Screw)

Product Code: B20-046

Box Piece:



4,8x25 YSB (İnox Saç Vidası)
4.8x25 YSB (Inox Hair Screw)

Product Code: B20-047

Box Piece:



4,8x45 YSB MUV (İnox Saç Vidası)
4.8x45 YSB MUV (Inox Hair Screw)

Product Code: B20-048

Box Piece:



Setskur M5x5 İnox
Setskur M5x5 İnox

Product Code: B20-049

Box Piece:



M8 Lama Somun
M8 Flat Nut

Product Code: B20-050

Box Piece:



120 NM Somfy Motor
120 NM Somfy Motor

Product Code: RTS-120 / İO-120

Box Piece:



Somfy Kumanda
Somfy Control

Product Code: B20-043

Box Piece:



Somfy Zamak Aparatı
Somfy Zamak Apparatus

Product Code: PAL-140

Box Piece:

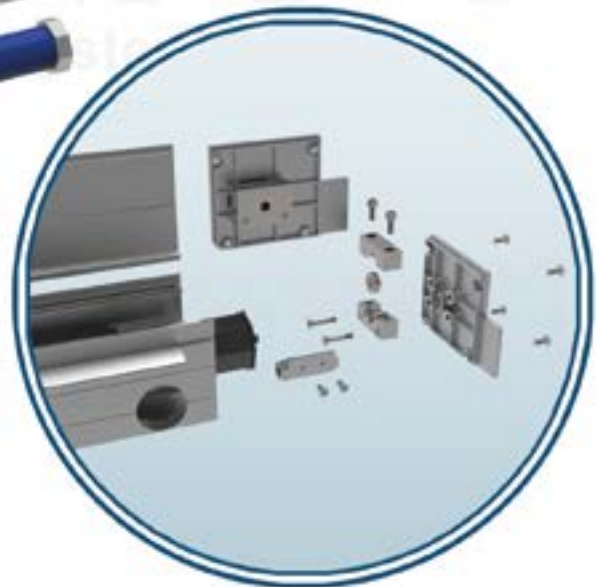
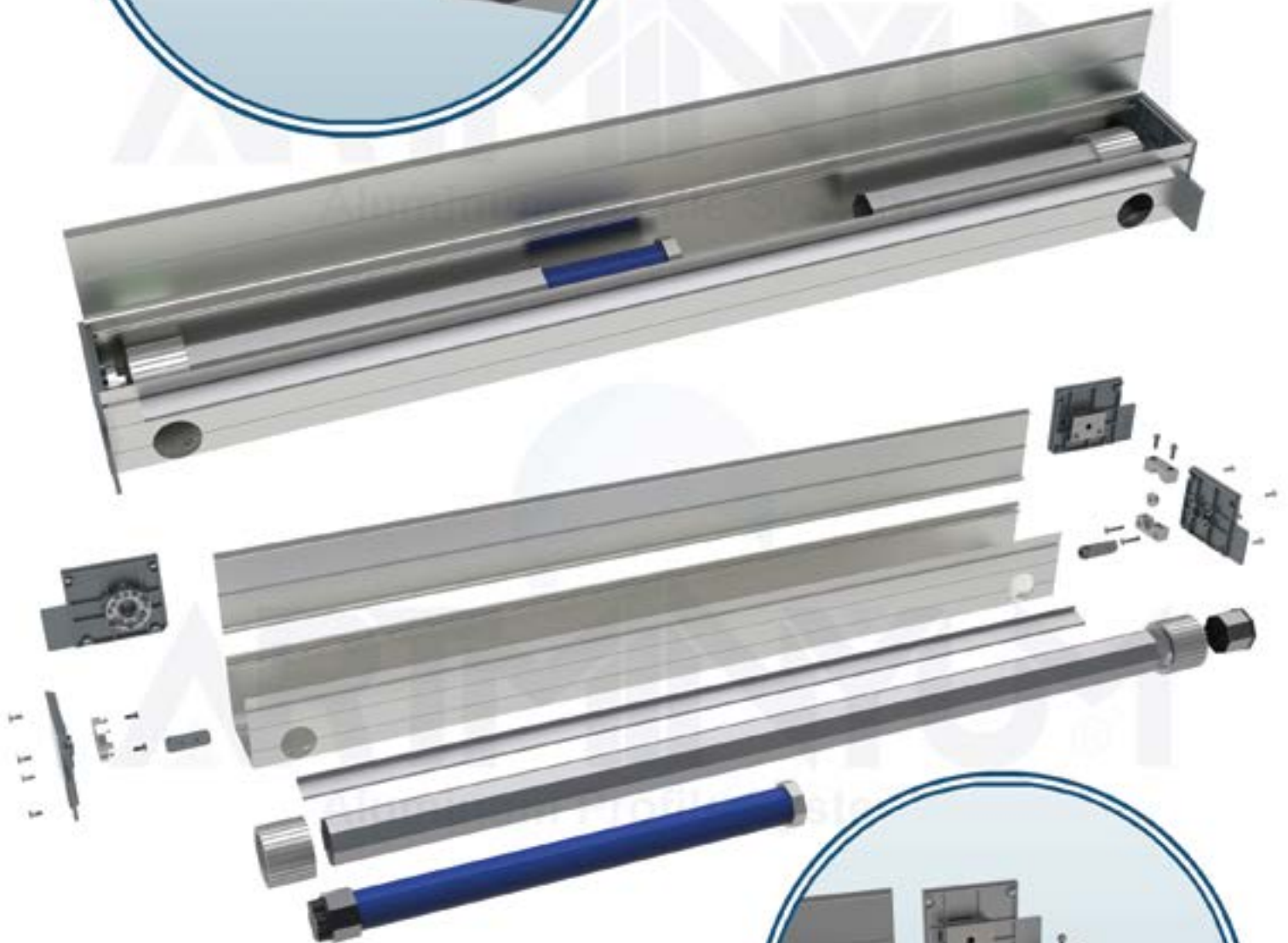
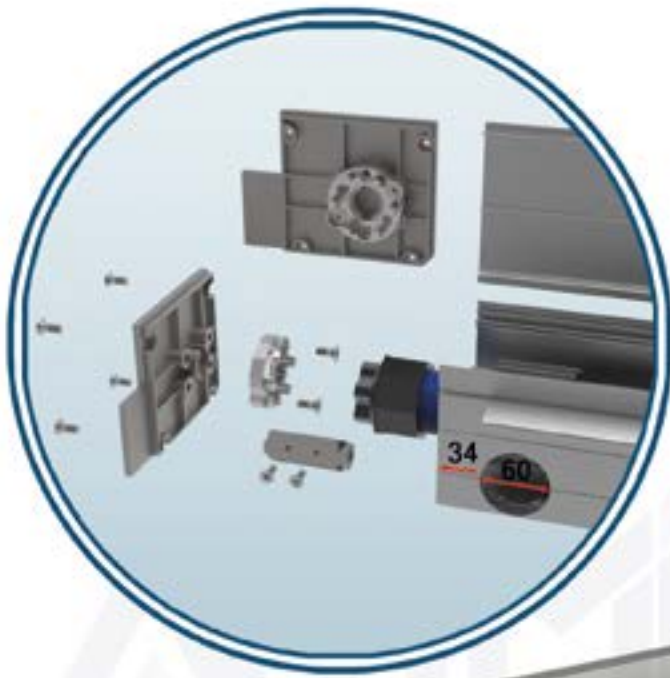


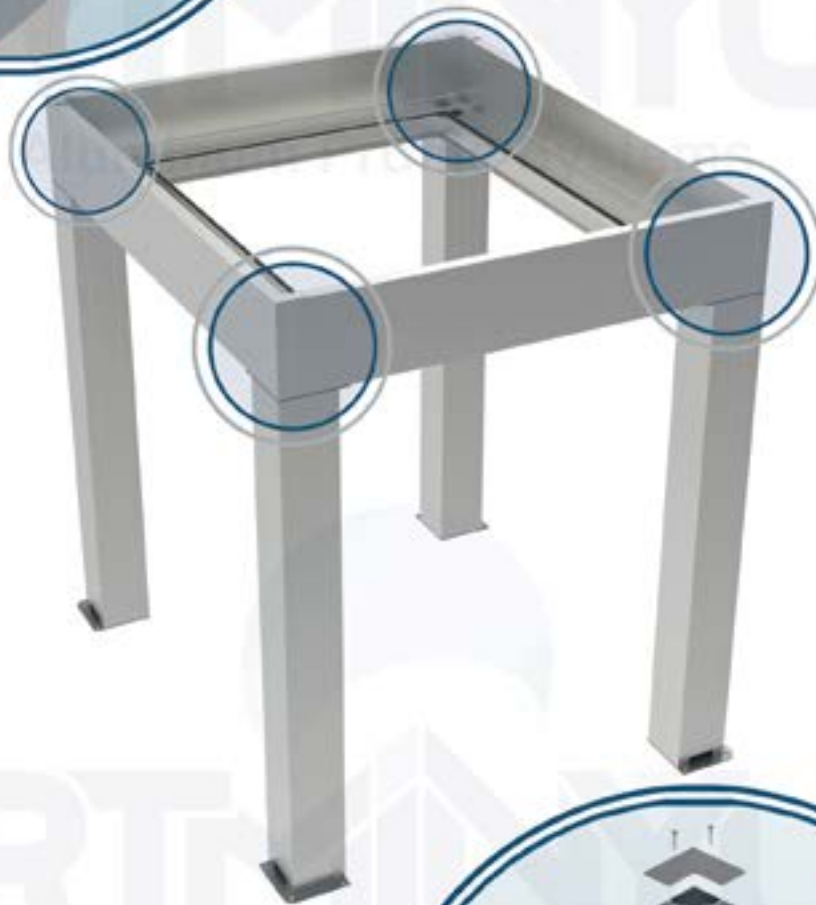
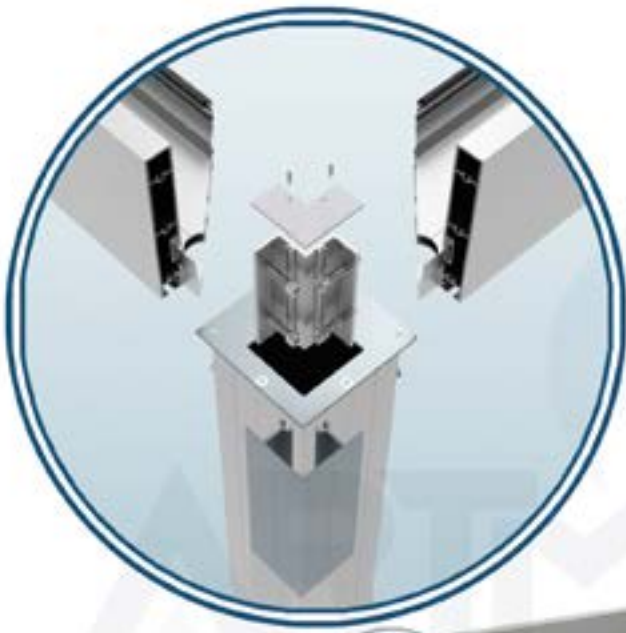
Somfy Sekizgen Motor Aparatı
Somfy Octagonal Motor Apparatus

Product Code: PRG-27

Box Piece: 50 piece









LAMEL MONTAJI
LAMEL ASSEMBLY



1



Panel Teker Ve Orta Uzun Burç
Panel Wheel And Medium
Long Bushing
Product Code: B20-024

2



Panel Kapak Onikilik Kısa Burç
Panel Cover Twelve Short Bushing
Product Code: B20-027

3



Panel Kapak Kısa Burç
Panel Cover Short Bushing
Product Code: B20-026

4

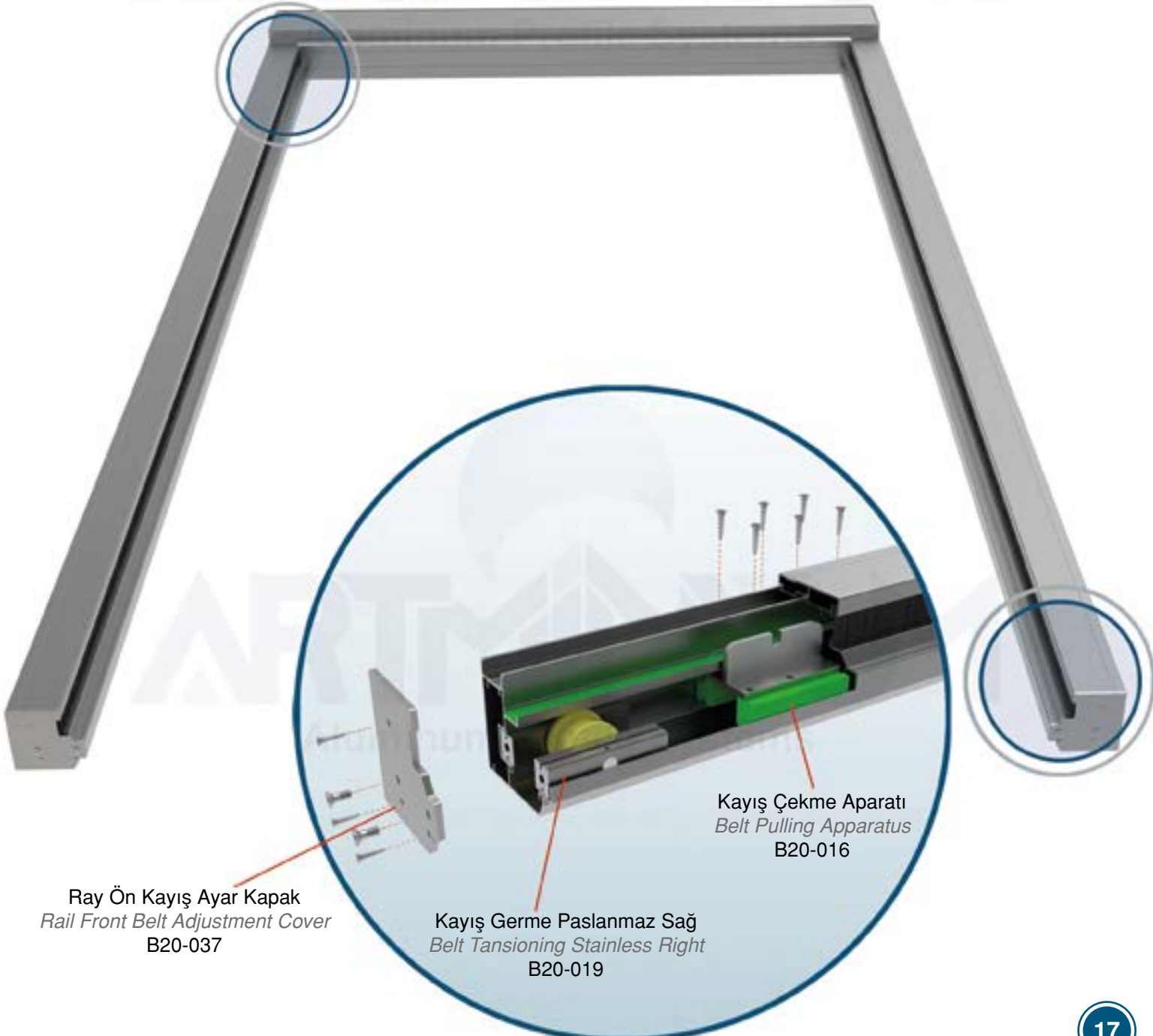
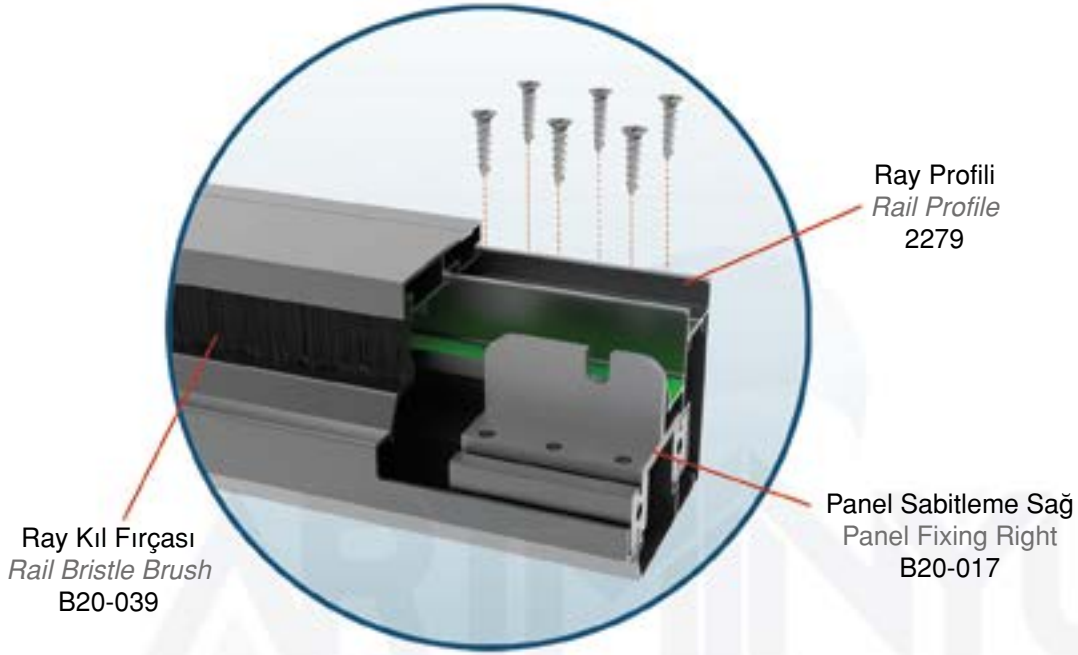


Panel Kapak Uzun Burç
Panel Cover Long Bushing
Product Code: B20-025

5



Makas Kasnak Uzun Burç
Scissors Pulley Long Bushing
Product Code: B20-028









KENAN METAL®



KENAN METAL ALÜMİNYUM PROFİL SAN. TİC. LTD. ŞTİ.



Merkez: Atatürk Bulvarı Mahmut Torun Plaza No:54
Dışkapı No: 2/7 İç Kapı No:2 Başakşehir / İSTANBUL
Tel: +90 212 485 60 35 Fax: +90 212 485 60 46
Fabrika: Velimeşe Mah. Kandil Cad. 329 Sk. No:7 Ergene / Tekirdağ
info@kenanmetal.com - www.kenanmetal.com