

Alüminyum'un Sanata Dönüşümü...



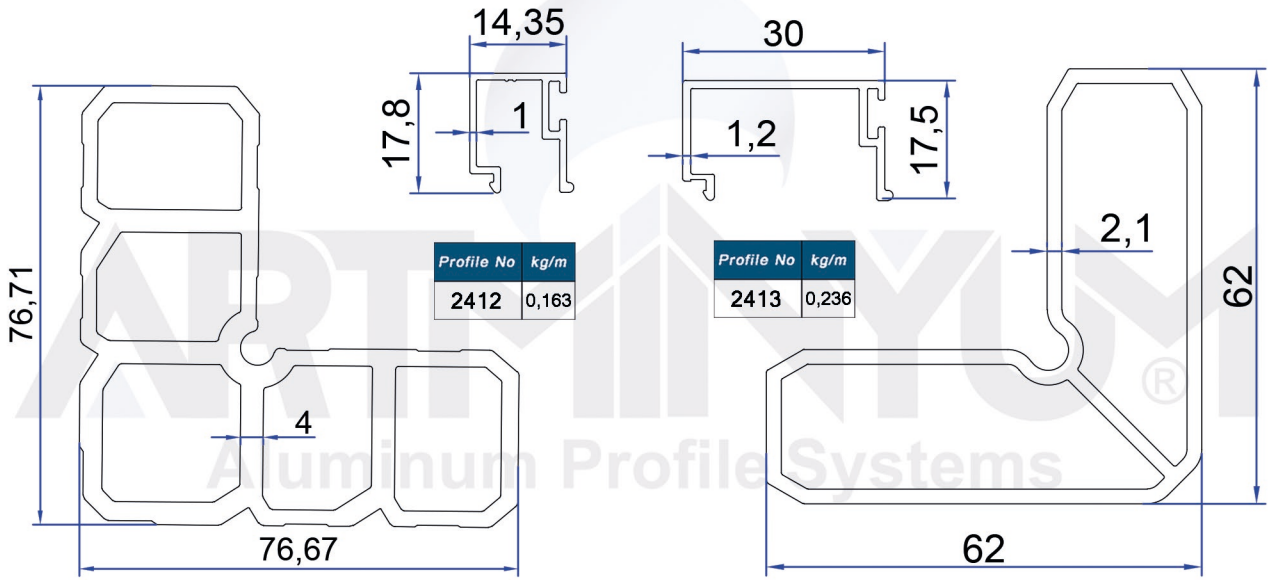
TUBA SÜRME CAM SİSTEMLERİ
TUBE SLIDING GLASS SYSTEMS

www.kenanmetal.com



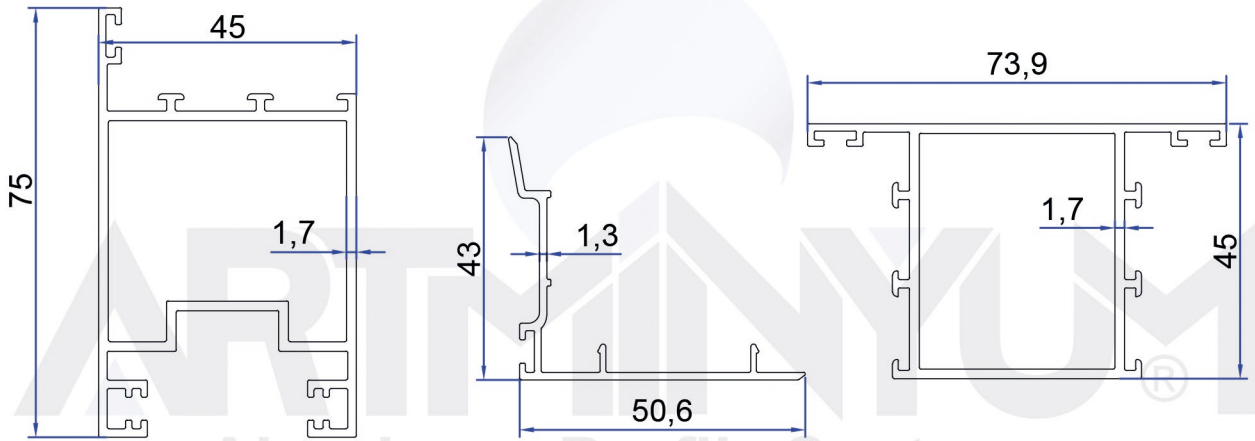
Aluminum Profile Systems

TUBA ISI CAMLI SÜRME SİSTEMİ / TUBA HEAT GLASS SLIDING SYSTEM



Profile No	kg/m
2972	1,442

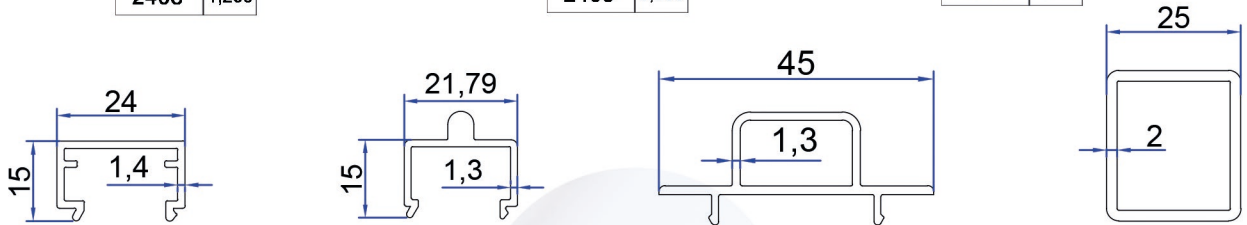
Profile No	kg/m
2971	1,442



Profile No	kg/m
2408	1,260

Profile No	kg/m
2409	0,388

Profile No	kg/m
2973	1,038

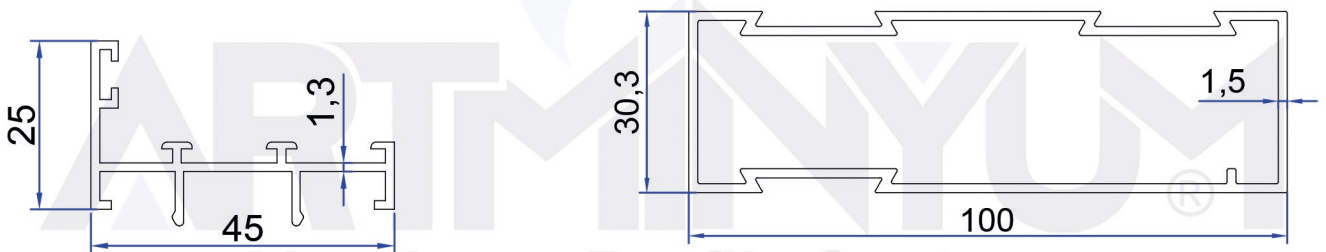


Profile No	kg/m
2410	0,233

Profile No	kg/m
2411	0,252

Profile No	kg/m
2414	0,344

Profile No	kg/m
2974	0,518

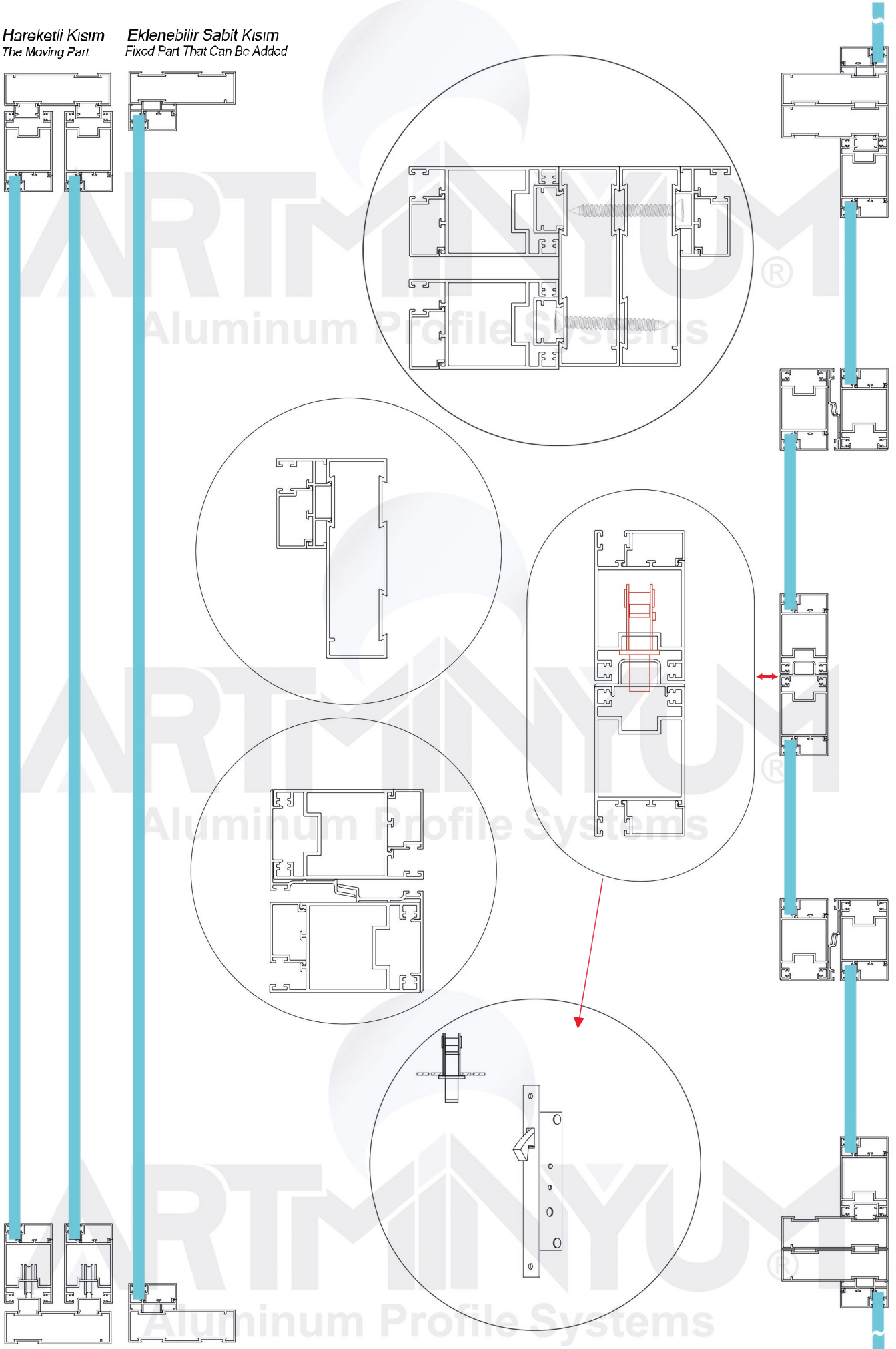


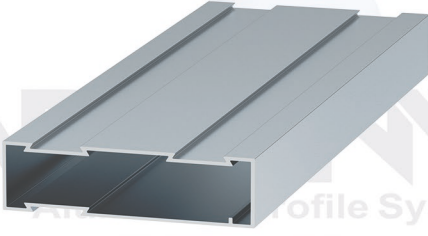
Profile No	kg/m
2415	0,412

Profile No	kg/m
2407	1,152

Hareketli Kısım
The Moving Part

Eklenebilir Sabit Kısım
Fixed Part That Can Be Added

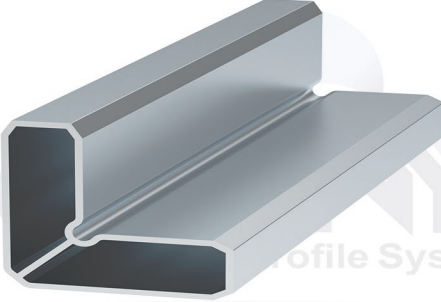




Kasa Profili
Chassis Profile

Product Code:2407

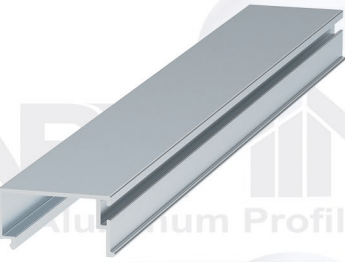
Weight kg/m:1,152
(100 x 30,3 x 1,5mm)



Dış Köşe Bağlantı Profili
Outer Corner Connection Profile

Product Code: 2971

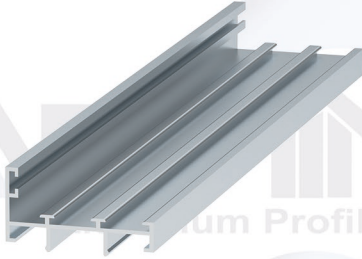
Weight kg/m: 1,442
(62 x62 x 2,1mm)



Geniş Cam Çıtası
Wide Glass Slats

Product Code:2413

Weight kg/m: 0,236
(17,8 x 31,2 x 1,2mm)



Sabit Cam Adaptörü
Fixed Glass Adapter

Product Code:2415

Weight kg/m: 0,412
(27,45 x 45 x 1,3mm)



Dar Cam Çıtası
Narrow Glass Slats

Product Code:2412

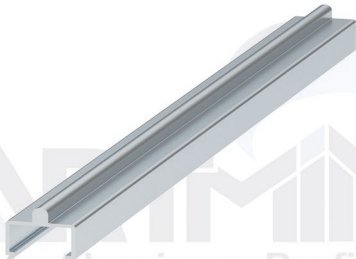
Weight kg/m: 0,163
(17,7 x 14,35 x 1mm)



Üst Ray Profili
Top Rail Profile

Product Code:2410

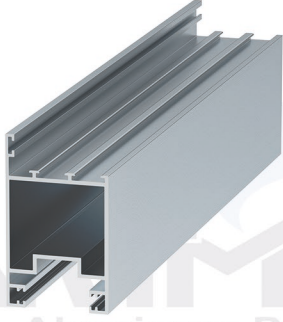
Weight kg/m: 0,233
(24 x 15 x 1,4mm)



Alt Ray Profili
Bottom Rail Profile

Product Code:2411

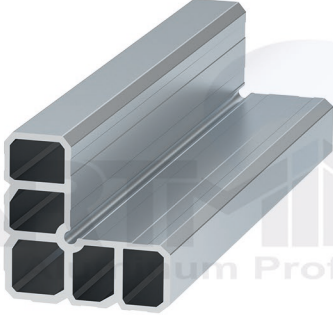
Weight kg/m: 0,252
(20,5x 19,52 x 1,3mm)



Kanat Profili
Wing Profile

Product Code:2408

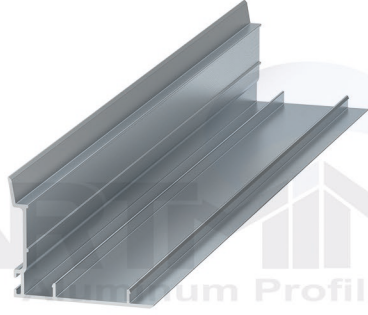
Weight kg/m: 1,260
(75 x 45 x 1,7mm)



İç Çerçeve Bağlantı Profili
Iframe Connection Profile

Product Code:2972

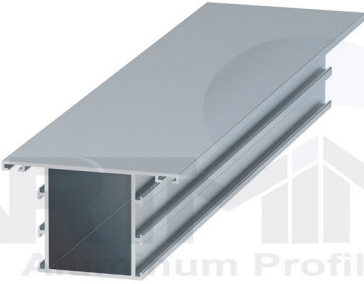
Weight kg/m: 1,442
(76,7 x 76,7 x 4mm)



Kenet Profili
Clamp Profile

Product Code:2409

Weight kg/m: 0,388
(50,6 x 43 x 1,3mm)



Sabit Cam Profili
Fixed Glass Profile

Product Code:2973

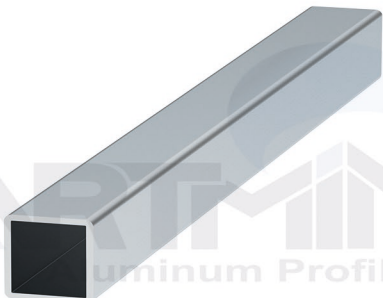
Weight kg/m: 1,038
(45x 73,9 x 1,7mm)



Profil Kapama
Profile Closure

Product Code:2414

Weight kg/m: 0,344
(45 x 18,5 x 1,3mm)



Geniş Üst Ray Profili
Large Upper Rail Profile

Product Code:2974

Weight kg/m: 0,518
(25x 28 x 2mm)



TUBA ISI CAMLI SÜRME SİSTEMİ AKSESUARLARI / TUBA HEAT GLASS SLIDING SYSTEM ACCESSORIES



Tutamaç
Handle

Code:

Quantity:



Gagalı Kilit
Beak Lock

Code:Tuba-4

Quantity:



Tekerlek
Wheel

Code:

Quantity:



Bariyerli Ay Fitol
Barrier Moon Wick

Code:

Quantity:



Kıl Fitol
Bristle Wick

Code:

Quantity:



Bariyerli Tırnaklı Fitol
Barrier Nail Wick

Code:

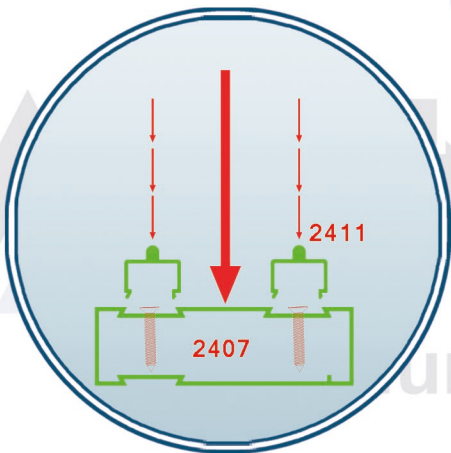
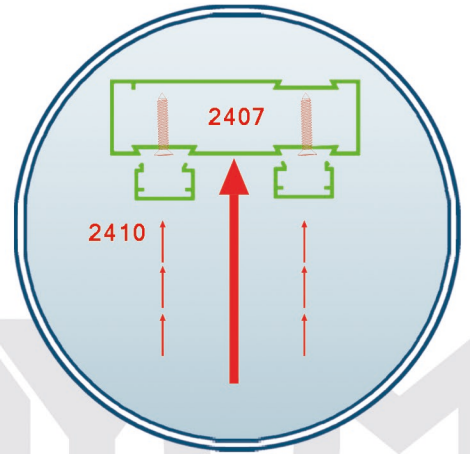
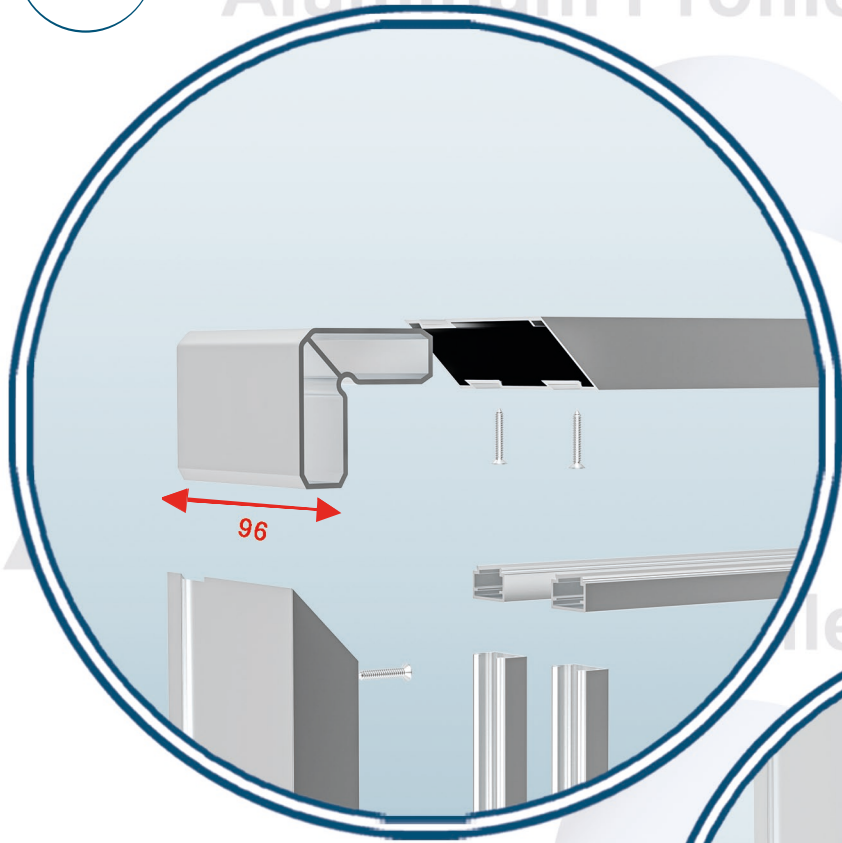
Quantity:



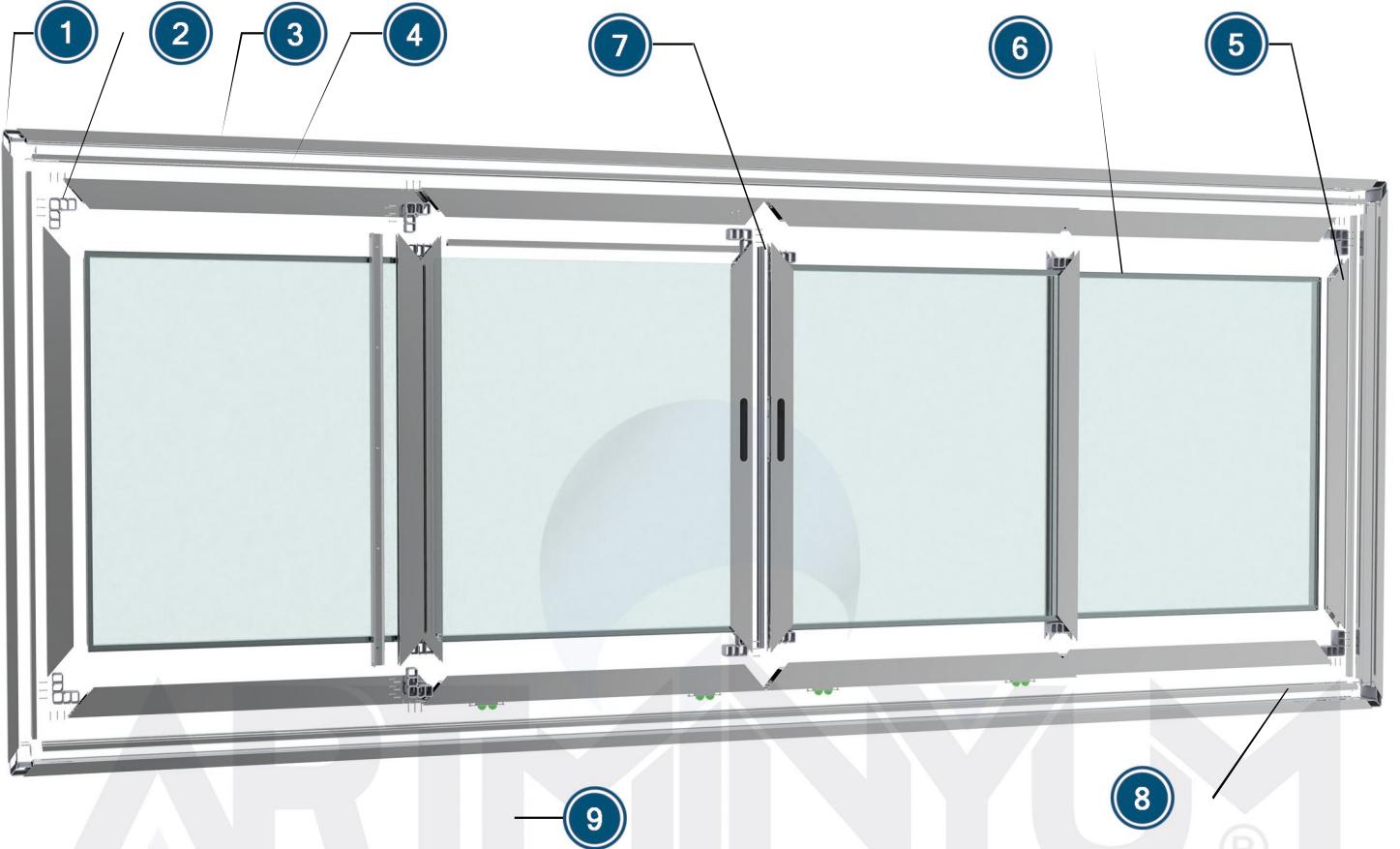
4,8x32 Havşa Başlı Akıllı Vida
4,8x32 Countersunk Head Smart Screw

Code:

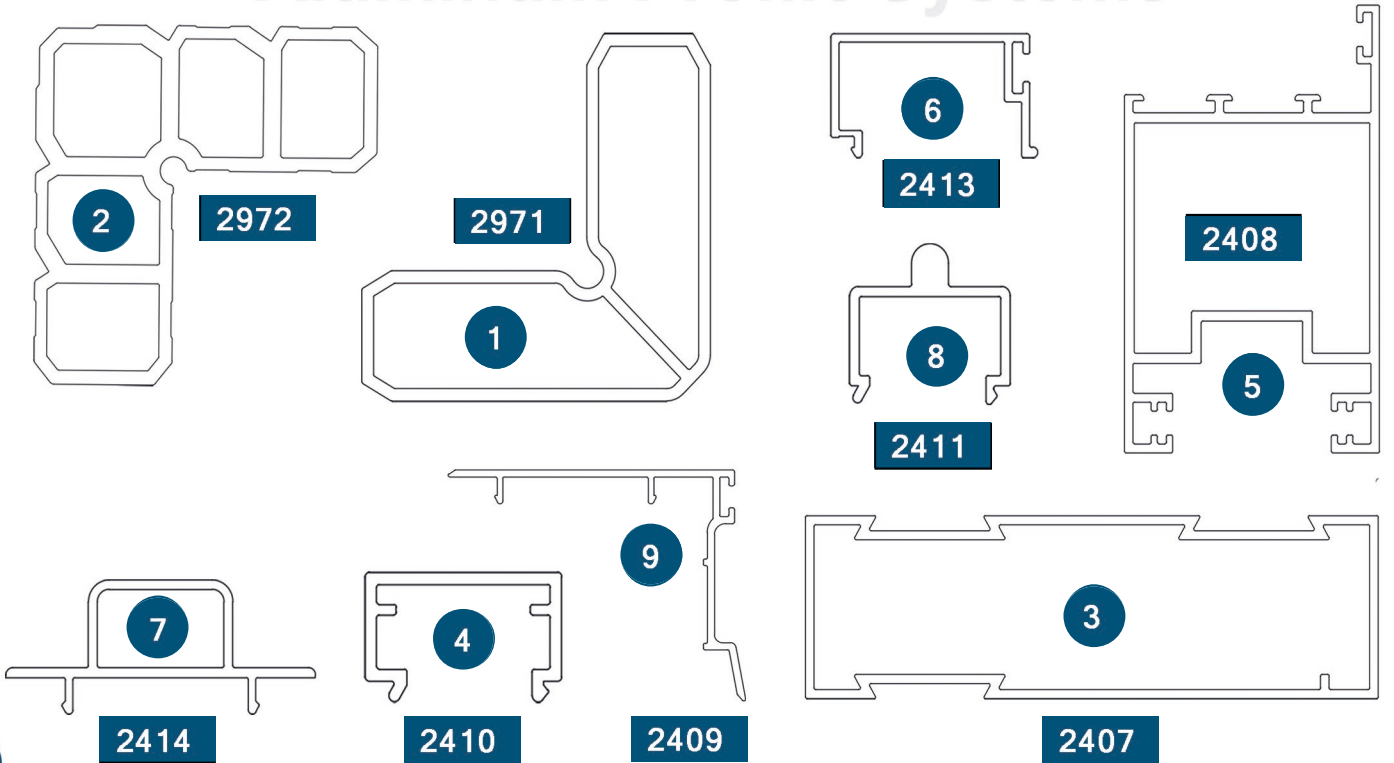
Quantity:

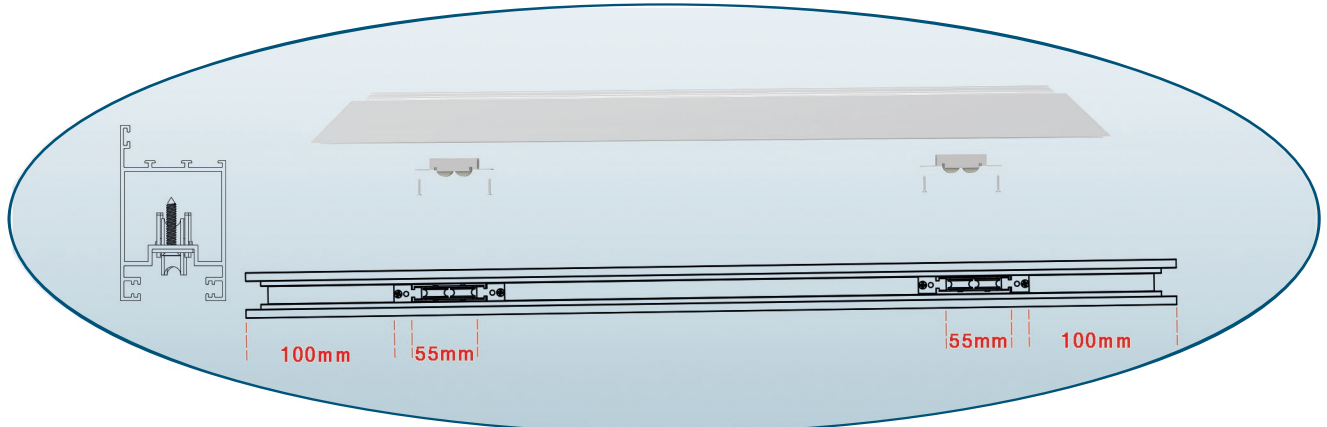
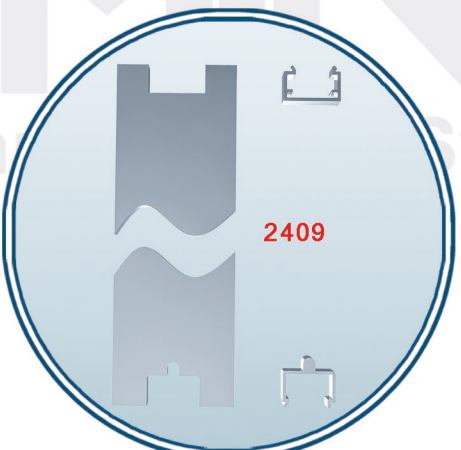
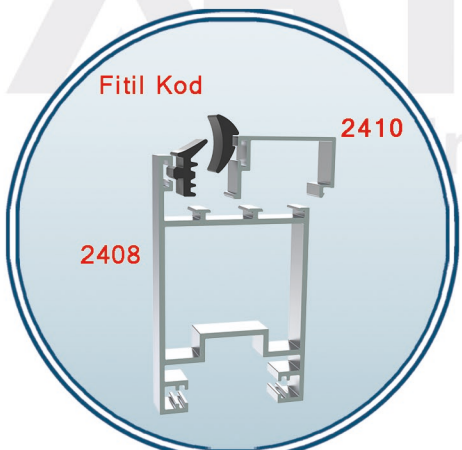
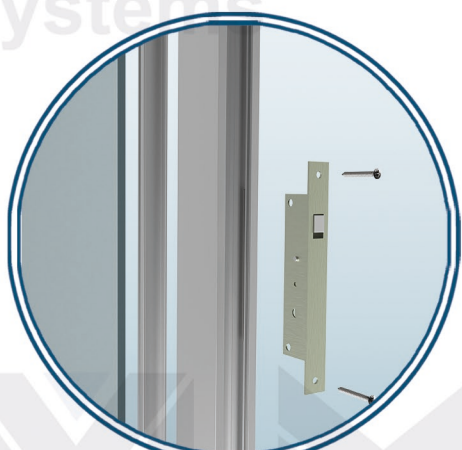
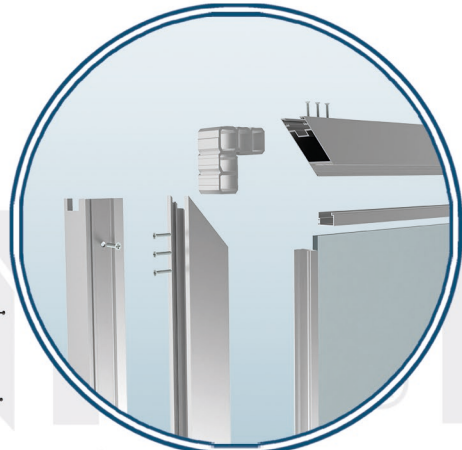


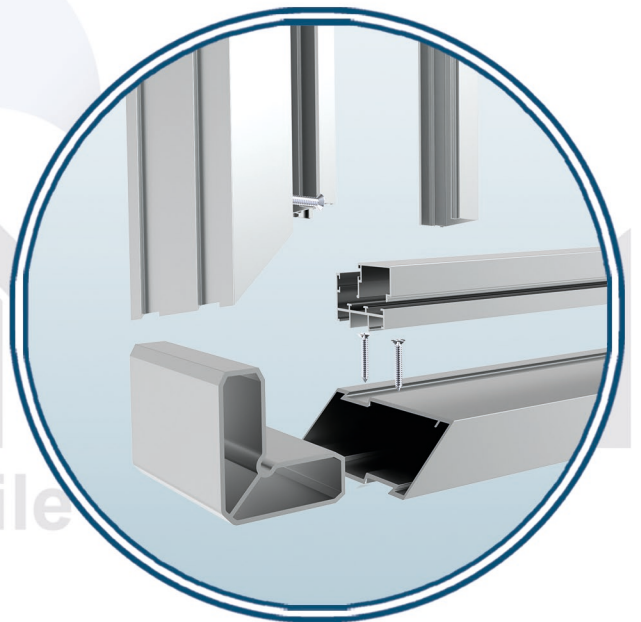
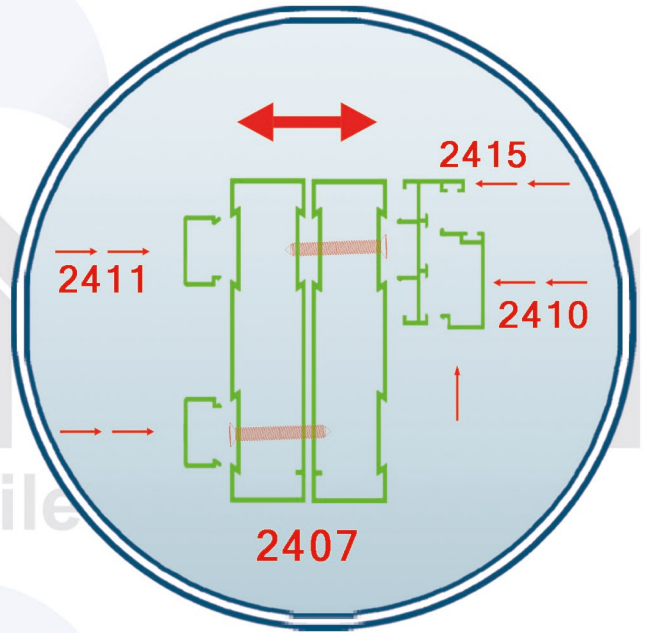
Isı Camlı 4'lü Sürme Sistem Montaj Şeması
Heat Glazed 4 Sliding Systems Assembly Diagram



Aluminum Profile Systems

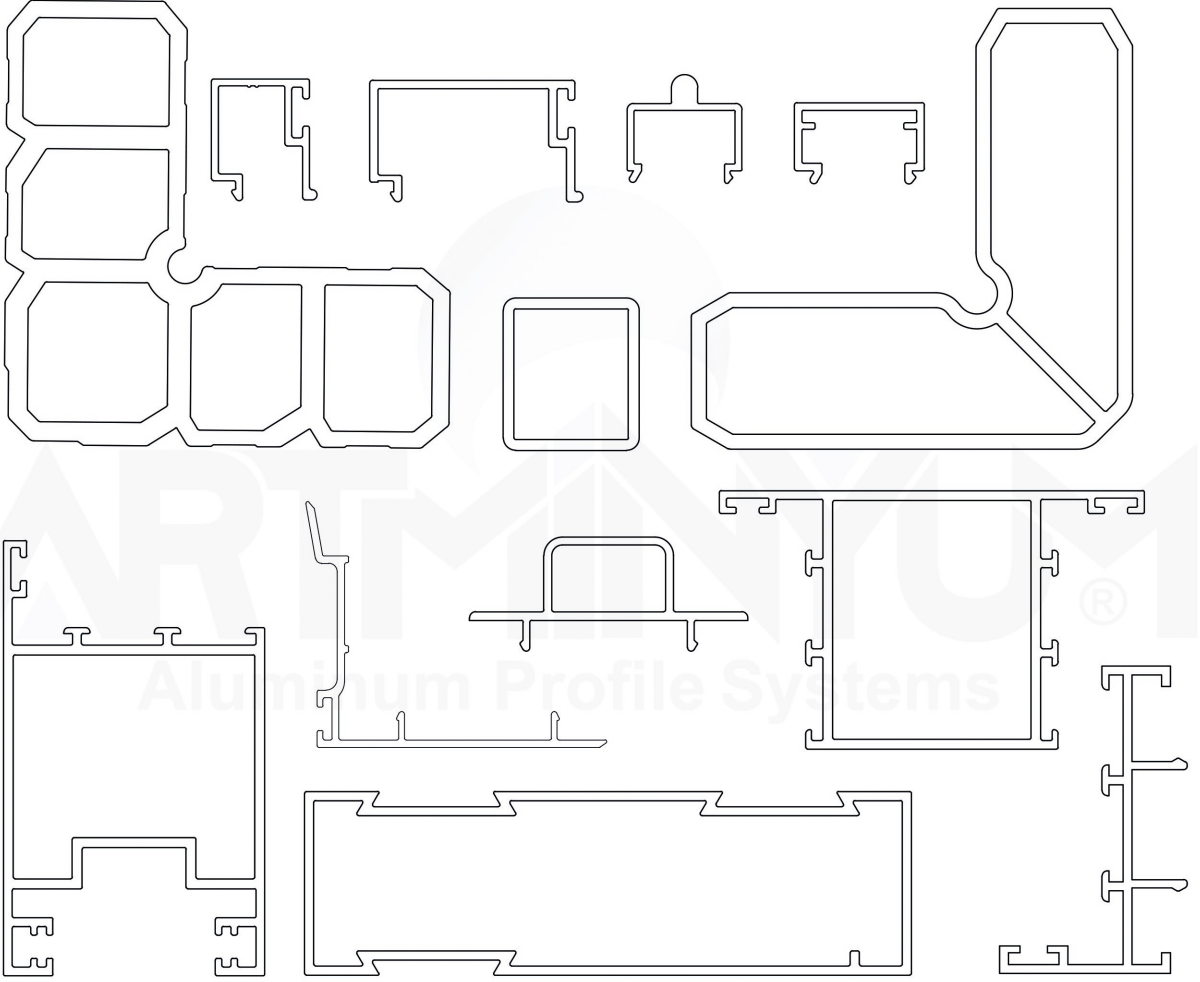








KENAN METAL



KENAN METAL ALÜMİNYUM PROFİL SAN. TİC. LTD. ŞTİ.



Merkez: Atatürk Bulvarı Mahmut Torun Plaza No:54
Dış Kapı No: 2/7 **İç Kapı No:**2 Başakşehir / İSTANBUL
Tel: +90 212 485 60 35 **Fax:** +90 212 485 60 46
Fabrika: Velimeşe Mah. Kandil Cad. 329 Sk. No:7 Ergene / Tekirdağ

info@kenanmetal.com - www.kenanmetal.com