

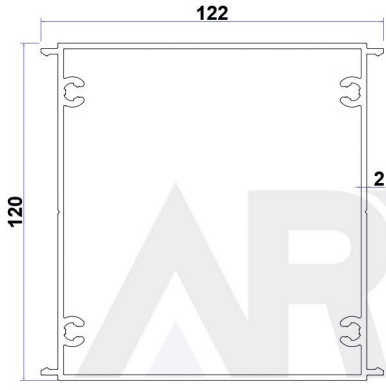
Alüminyum'un Sanata Dönüşümü...



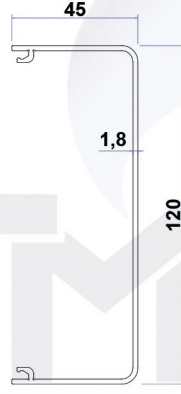
AÇILIR CAM TAVAN SİSTEMLERİ
OPEN GLASS ROOF SYSTEMS

www.kenanmetal.com

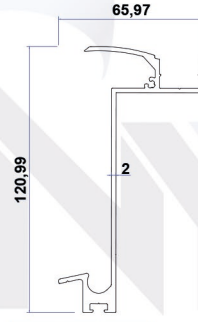
AÇILIRCAM TAVAN SİSTEMLERİ / OPEN GLASS ROOF SYSTEMS



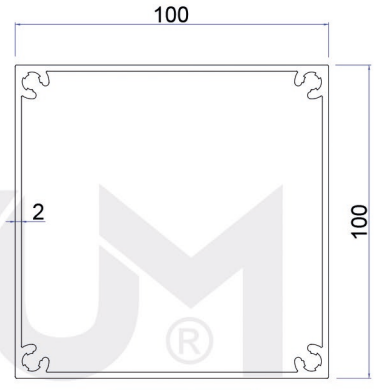
Profile No	kg/m
2341	3,028



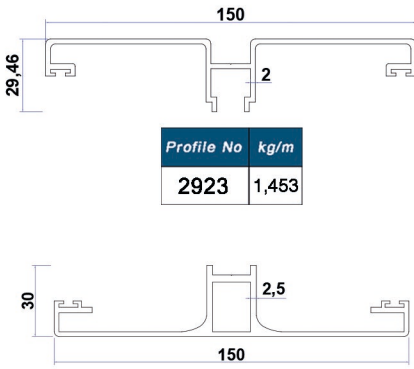
Profile No	kg/m
2342	1,055



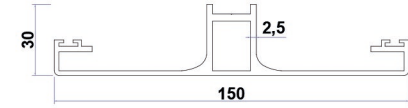
Profile No	kg/m
2927	1,529



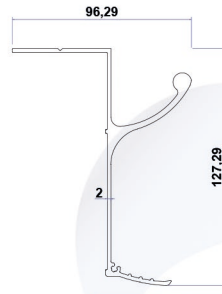
Profile No	kg/m
6565	2,463



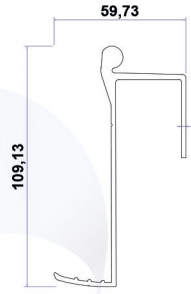
Profile No	kg/m
2923	1,453



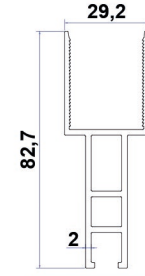
Profile No	kg/m
2924	1,776



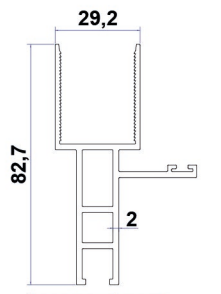
Profile No	kg/m
2929	1,925



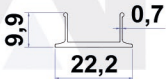
Profile No	kg/m
2928	1,456



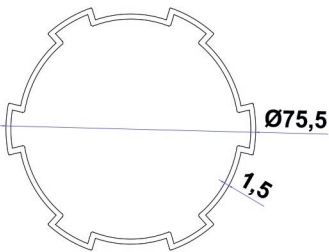
Profile No	kg/m
2502	1,125



Profile No	kg/m
2503	1,300



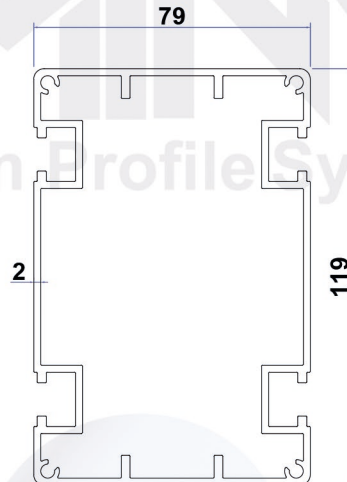
Profile No	kg/m
2926	0,120



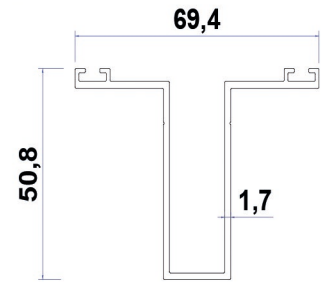
Profile No	kg/m
5312	1,100



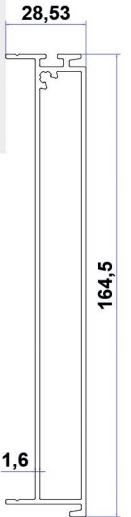
Profile No	kg/m
???	????



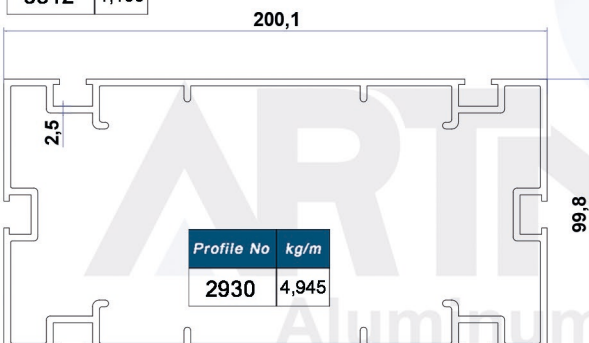
Profile No	kg/m
5936	3,032



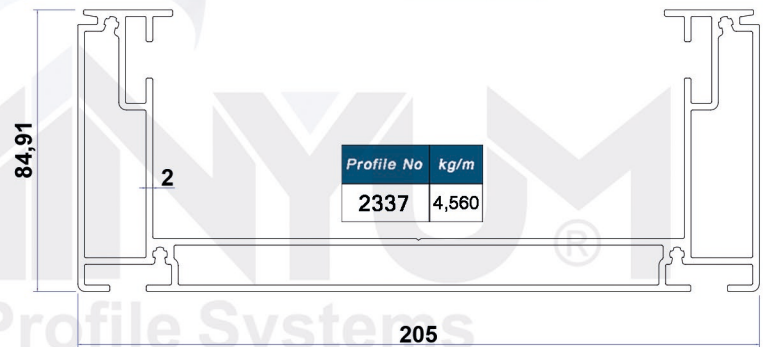
Profile No	kg/m
2925	0,795



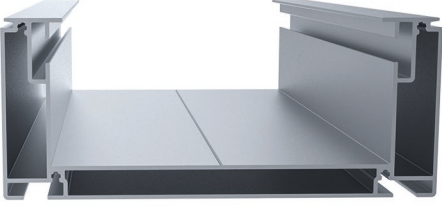
Profile No	kg/m
2338	1,730



Profile No	kg/m
2930	4,945



Profile No	kg/m
2337	4,560



Oluk Profili
Groove Profile

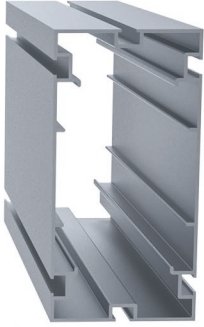
Product Code:2337

Weight kg/m: 4,560
(205x 84,91 x 2mm)



Oluk Dikme Profili
Groove Stitching Profile

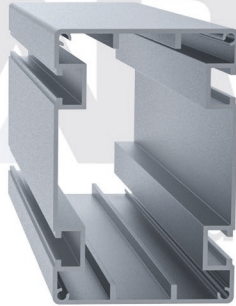
Product Code:2338
Weight kg/m:1,730
(28,53x 164,5 x 1,6mm)



100x200 Arka Kayıt Profili
100x200 Rear Recording Profile

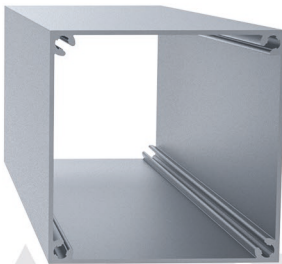
Product Code:2930

Weight kg/m: 4,945
(200,1x 99,8 x 2,5mm)



Taşıyıcı Profil
Carrier Profile
Product Code:5936

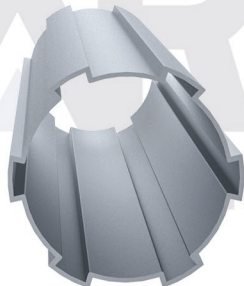
Weight kg/m: 3,032
(79x 119 x 2mm)



100x100 Taşıyıcı Kayıt
100x100 Carrier Registration

Product Code:6565

Weight kg/m: 2,463
(100x 100 x2mm)



Motor Borusu
Engine Pipe

Product Code:5312

Weight kg/m: 1,100
(Q 75 x 1,5mm)



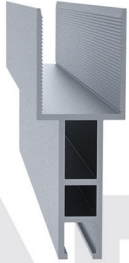
Dikme Profili *Strut Profile*

Product Code:2341
Weight kg/m: 3,028
(122x 120 x2mm)



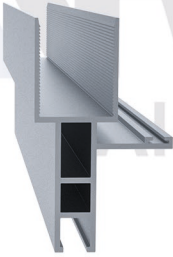
Dikme Kapak Profili *Strut Cover Profile*

Product Code:2342
Weight kg/m:1,055
(45x 120 x 1,8mm)



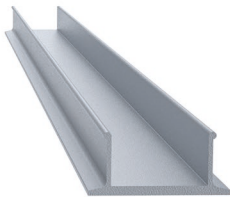
Kanat Yan Dikme Profili *Wing Side Strut Profile*

Product Code:2502
Weight kg/m: 1,125
(29,02x 82,7 x 2mm)



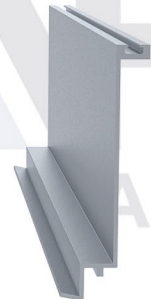
Kanat Çekici Profili *Wing Tractor Profile*

Product Code:2503
Weight kg/m: 1,300
(48,7x 82,7 x 2mm)



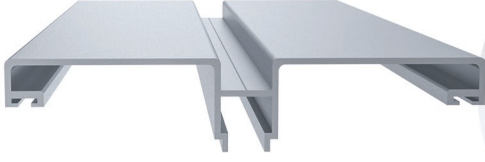
Ön Mafsal 1 Vida Kapağı *Front Joint 1 Screw Cap*

Product Code:2926
Weight kg/m: 0,120
(22,2x 9,9 x 0,7mm)



Ön Mafsal Ek Profili *Front Knuckle Joint Profile*

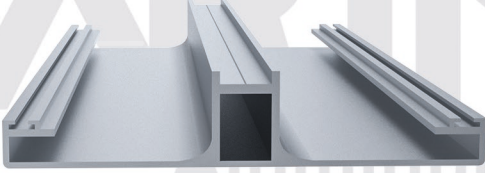
Product Code:?????
Weight kg/m: ????
(38,76x 113,5 x 1,76mm)



Üst Taşıyıcı Ray
Upper Carrier Rail

Product Code:2923

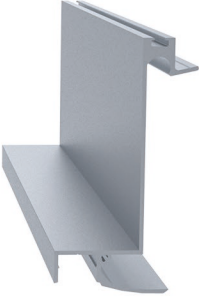
Weight kg/m:1,453
(150x 29,46 x 2mm)



Alt Taşıyıcı Ray
Subcarrier Rail

Product Code:2924

Weight kg/m: 1,776
(150x 30 x 2,5mm)



Ön Mafsal 1
Front Joint 1

Product Code:2927

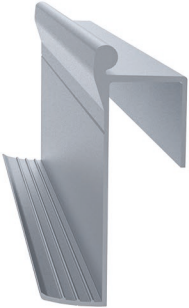
Weight kg/m: 1,529
(66,15x 120,99 x 2mm)



Arka Mafsal
Rear Knuckle

Product Code:2929

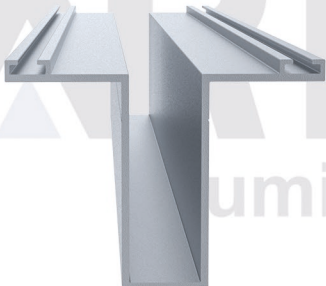
Weight kg/m: 1,925
(96,29x 127,29 x 2mm)



Ön Mafsal 2
Front Joint 2

Product Code:2928

Weight kg/m: 1,456
(59,73x 109,13 x 2mm)



Üst Kapama Profili
Upper Closing Profile

Product Code:2925

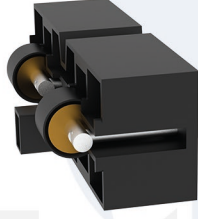
Weight kg/m: 0,795
(69,4x 50,8 x 1,7mm)

AYILIR CAM TAVAN AKSESUAR TAKIMI / OPEN GLASS ROOF ACCESSORY SET



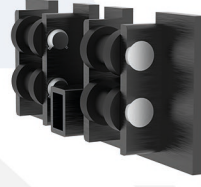
Triger Kayışı(T10-16)
Timing Belt (T10-16)

Quantity : ? Piece



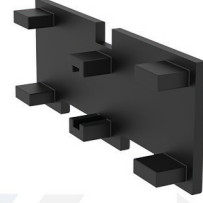
Triger Gergi Aparatı
Timing Tensioner

Quantity : ? Piece



Arka Kafa Rulmanlı
Rear Head Bearing

Quantity : ? Piece



Kasa Kapak
Case Cover

Quantity : ? Piece



Oluk Süzgeç
Gutter Strainer

Quantity : ? Piece



??????????
??????

Code : ????

Quantity : ? Piece



Köşe Takozu
Corner Wedge

Quantity : ? Piece



Triger Kayış Tutucu
Timing Belt Holder

Quantity : ? Piece



Plastik Triger Kayış Tutucu
Plastic Timing Belt Holder

Quantity : ? Piece



Stoper
Stoper

Quantity : ? Piece



Teker
Wheel

Quantity : ? Piece



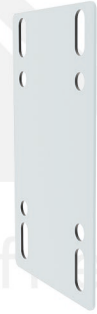
Arka Bağlantı Sacı
Rear Connection Plate

Quantity : ? Piece



Motor Sabitleme Sacı
Engine Fixing Plate

Quantity : ? Piece



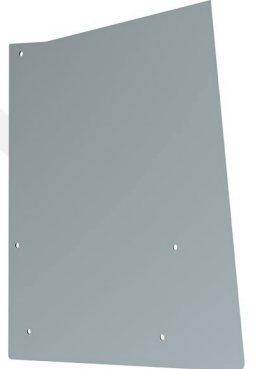
Ayak Alt Flanşı
Foot Bottom Flange

Quantity : ? Piece



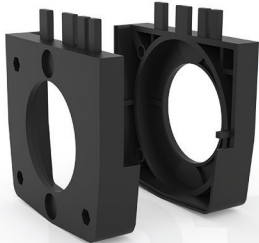
Ayak Üst Flanşı
Foot Upper Flange

Quantity : ? Piece



Oluk Yan Sacı
Groove Side Plate

Quantity : ? Piece



Dişli Muhafaza
Kapak Parçası
Sağ / Sol
??????????
Quantity : 1 Piece



Triger Dişli (T10-16)
Timing Gear (T10-16)

Quantity : ? Piece



Rulman (6917)
Bearing (6917)

Quantity : ? Piece



M8 Tij Saplama
M8 Rod Stud

Quantity : ?Piece



M8 Fiberli Somun
M8 Fiber Nut

Quantity : ? Piece



8X12 Bonbe Baş İmbus Cıvata
8X12 Dummy Head Imbus Bolt

Quantity : ? Piece



Sızdırmaz Fital
Leakproof Wick

Quantity : ? Piece



Kare kaynak Somun
Square weld Nut

Quantity : ? Piece



3,9X25 Akıllı Vida
3,9X25 Smart Screw

Quantity : ? Piece

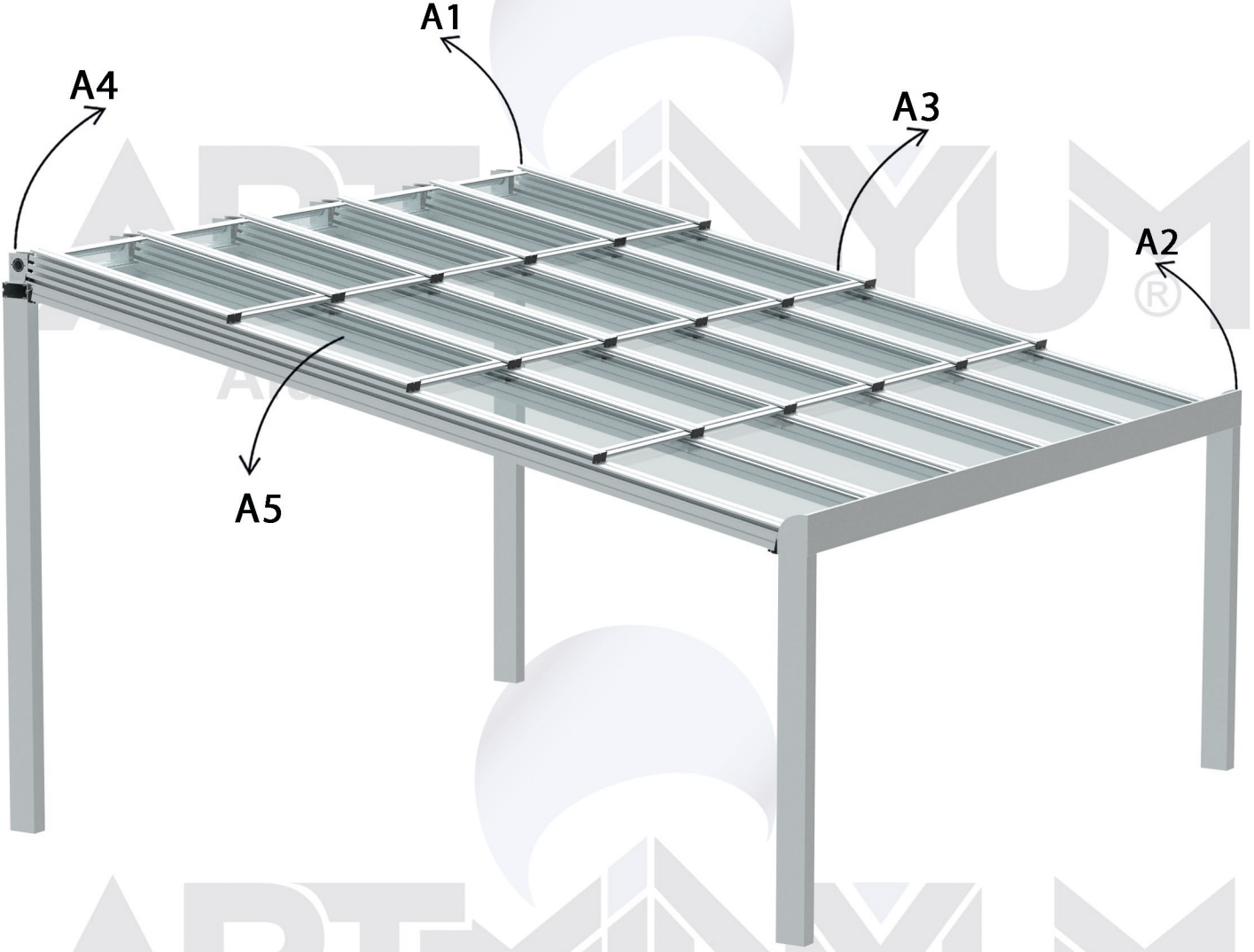


4,2X32 Akıllı Vida
4,2X32 Smart Screw

Quantity : 2 Piece



GENEL MONTAJ AKIM ŞEMASI / GENERAL INSTALLATION CURRENT DIAGRAM



1) MONTAJ (A1) / MOUNTING (A1)

► SAYFA 8 / PAGE 8

2) MONTAJ (A2) / MOUNTING (A2)

► SAYFA 8 / PAGE 8

3) MONTAJ (A3) / MOUNTING (A3)

► SAYFA 9 / PAGE 9

4) MONTAJ (A4) / MOUNTING (A4)

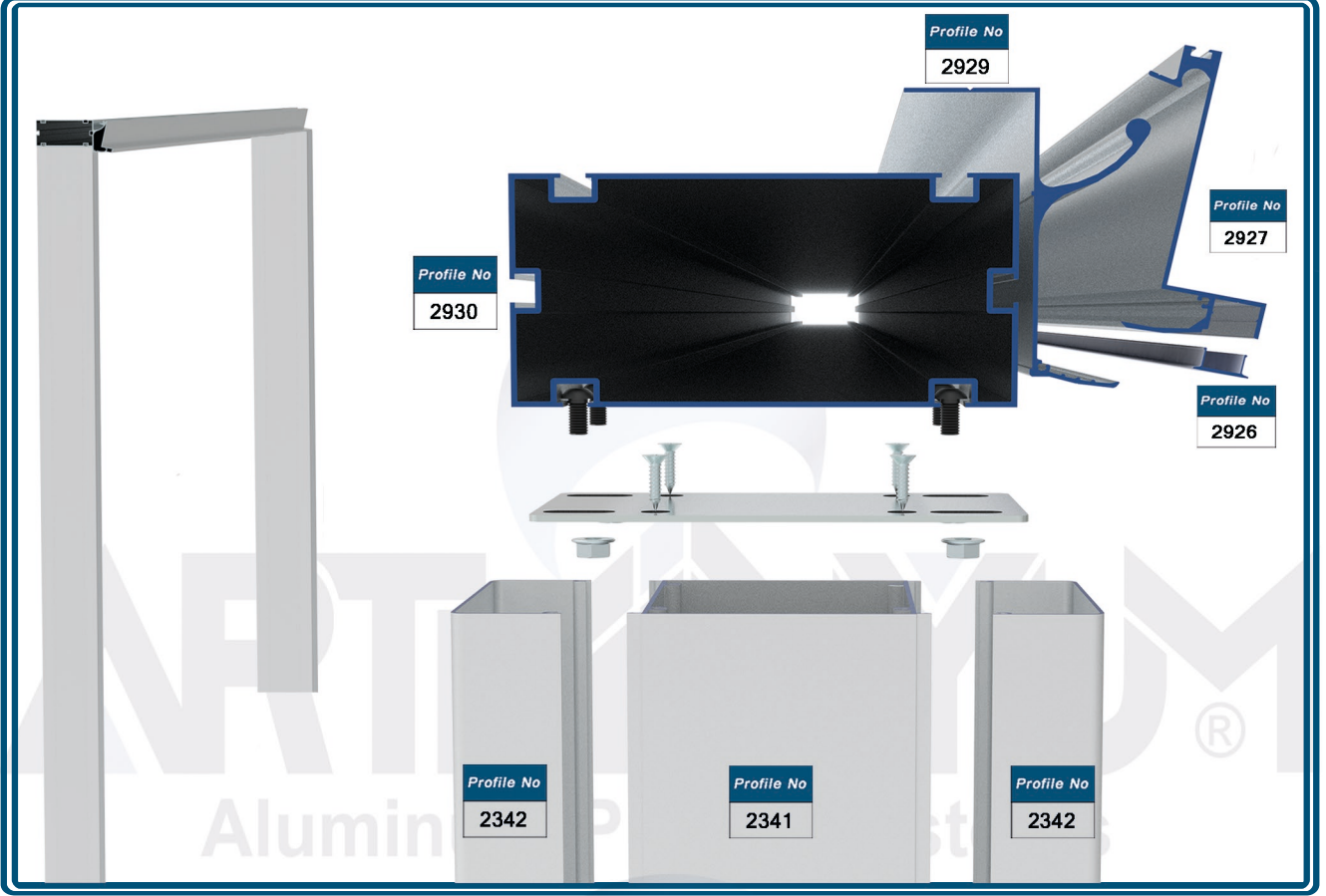
► SAYFA 10 / PAGE 10

5) MONTAJ (A5) / MOUNTING (A5)

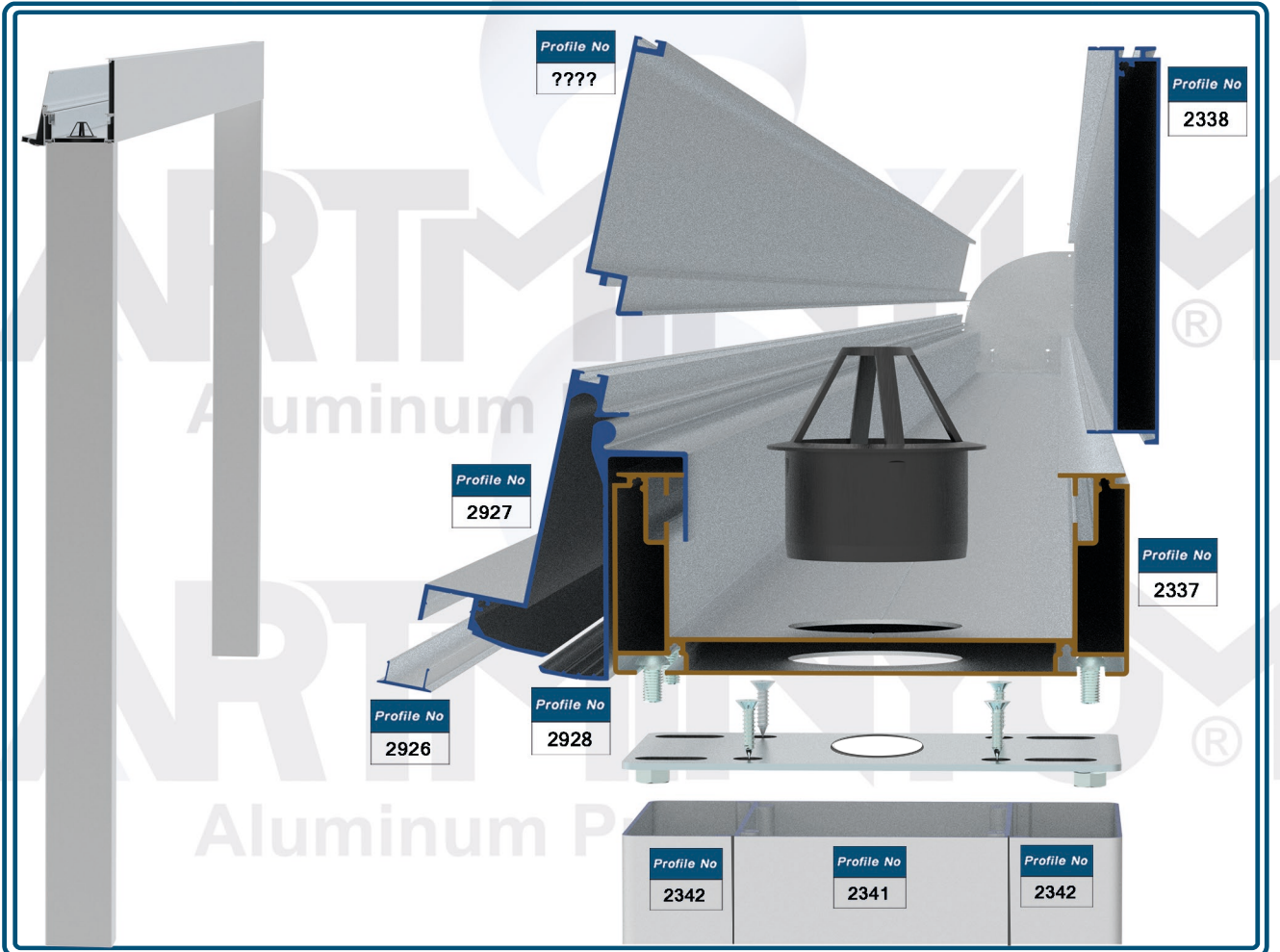
► SAYFA 11 / PAGE 11

Aluminum Profile Systems

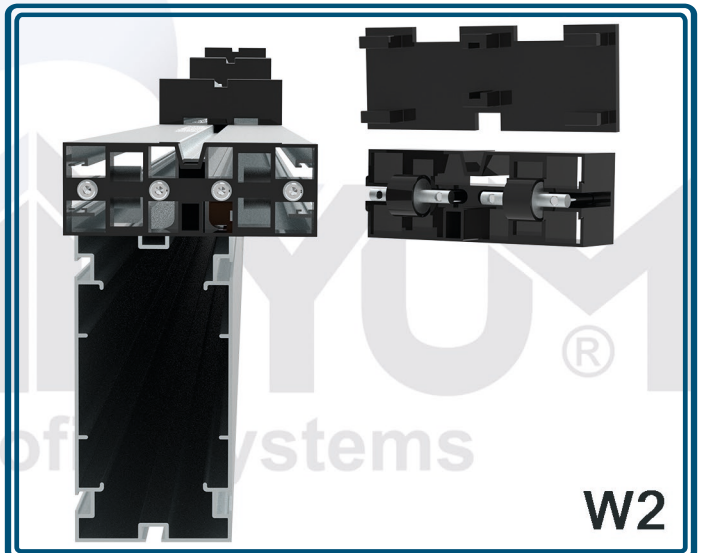
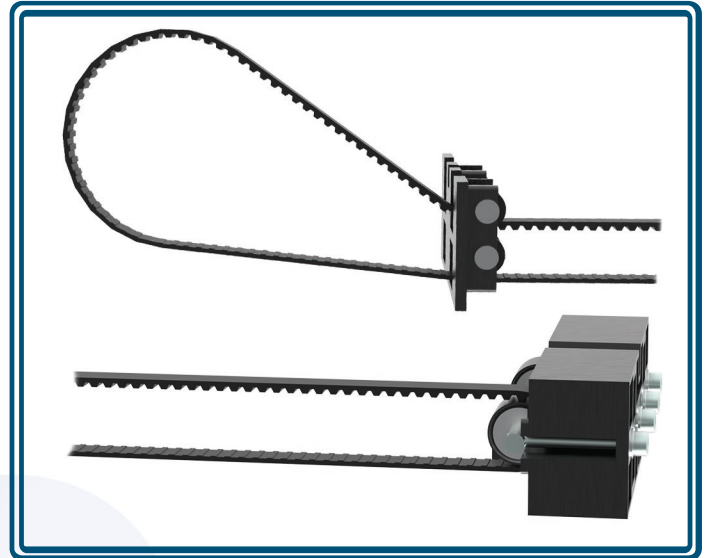
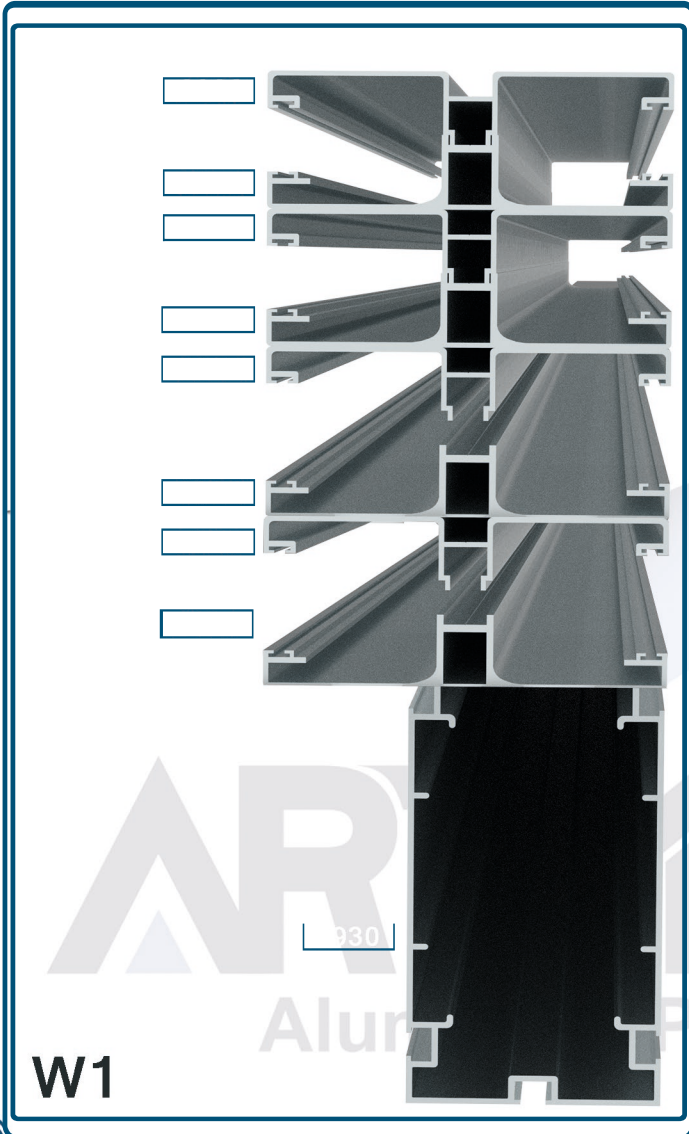
ARKA TAŞIYICI MONTAJI (A1) / REAR CARRIER MOUNTING (A1)



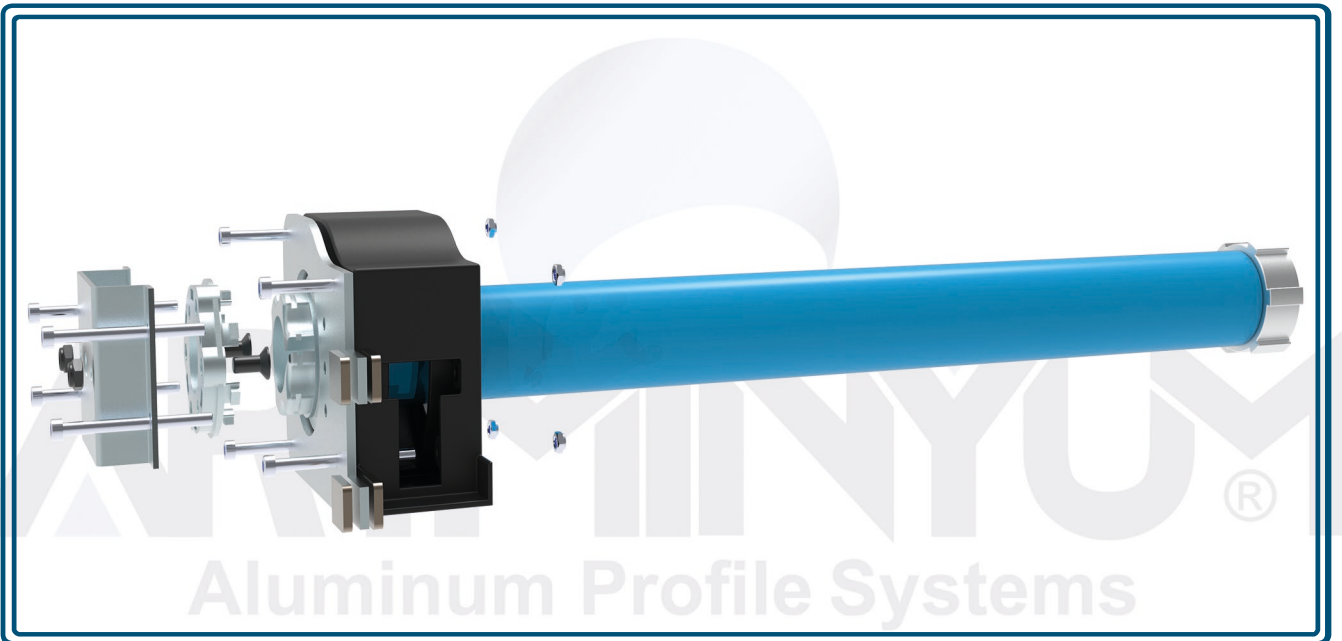
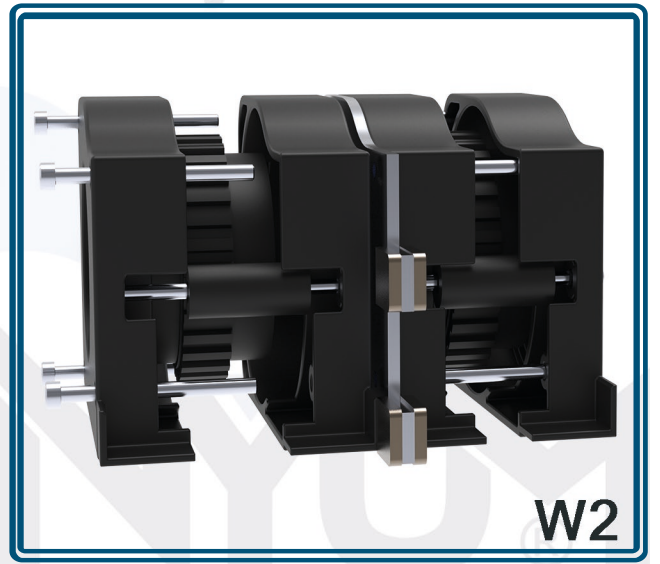
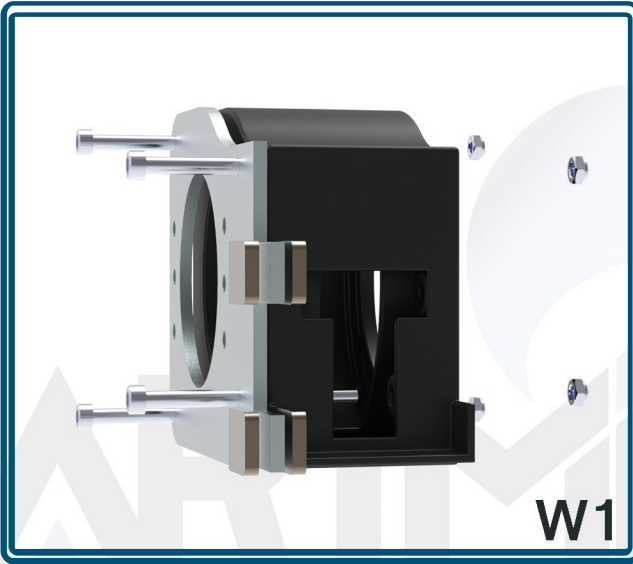
ÖN TAŞIYICI OLUK MONTAJI (A2) / FRONT CARRIER GUTTER ASSEMBLY (A2)



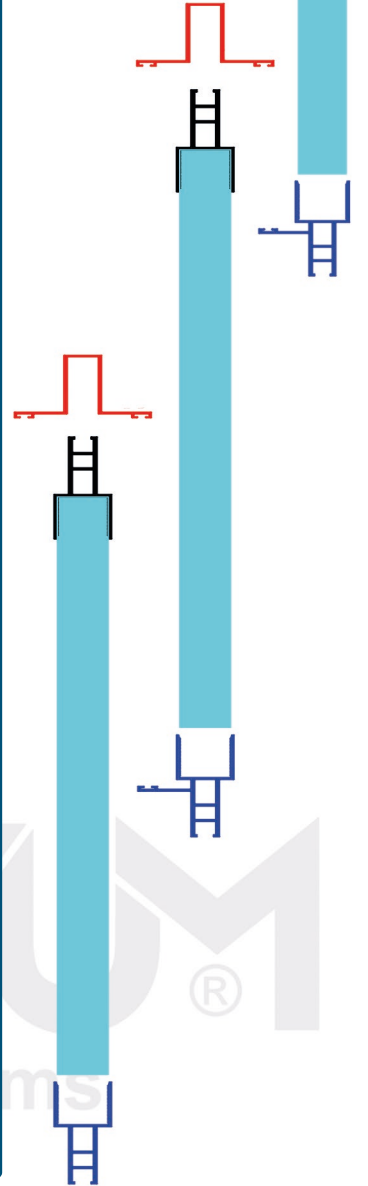
RAY VE TAŞIYICI PROFİL MONTAJI (A3) / RAIL AND CARRIER PROFILE INSTALLATION (A3)



TÜP MOTOR MONTAJI (A4) / TUBE MOTOR ASSEMBLY (A4)

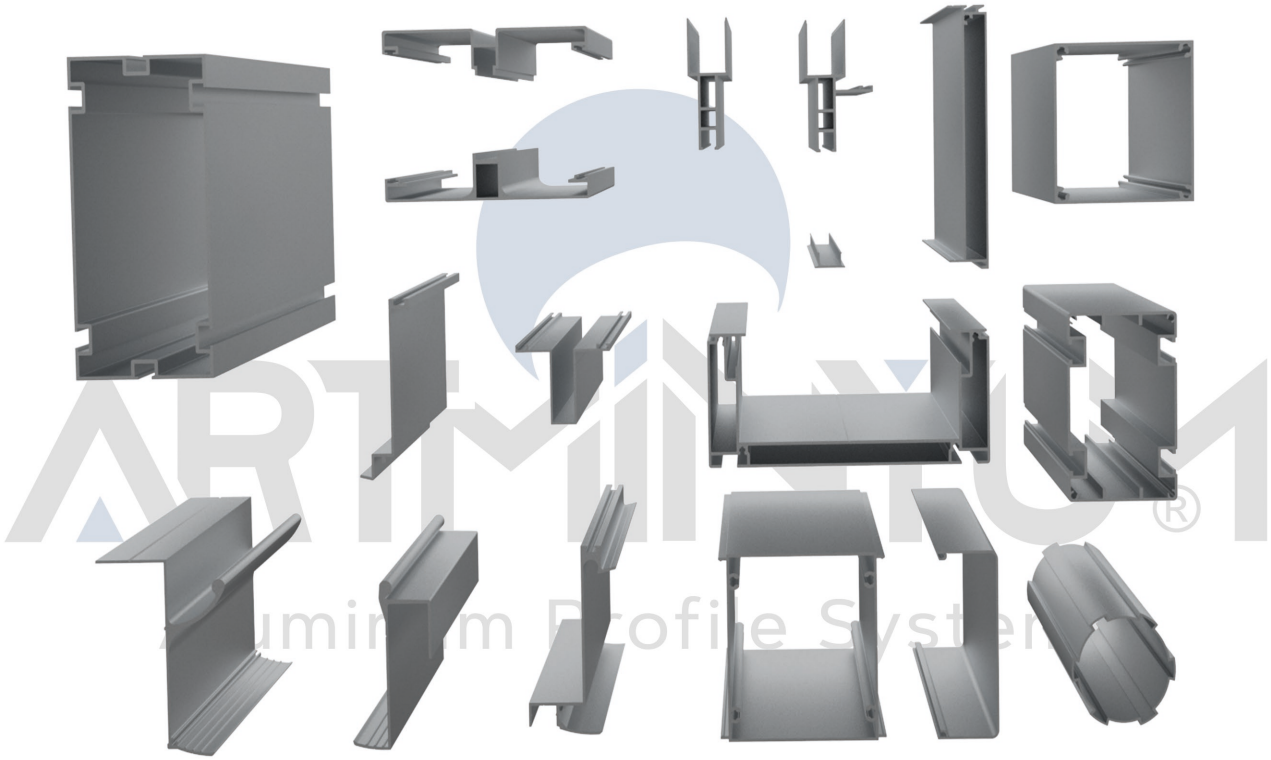


ÇERÇEVE KASASI MONTAJI (A5) / FRAME CASE ASSEMBLY (A5)





KENAN METAL®



ARTMİNYUM®
Aluminum Profile Systems

SunArt®

KENAN METAL ALÜMİNYUM PROFİL SAN. TİC. LTD. ŞTİ.



Merkez: Atatürk Bulvarı Mahmut Torun Plaza No:54
Dış Kapı No: 2/7 **İç Kapı No:**2 Başakşehir / İSTANBUL
Tel: +90 212 485 60 35 **Fax:** +90 212 485 60 46
Fabrika: Velimeşe Mah. Kandil Cad. 329 Sk. No:7 Ergene / Tekirdağ
info@kenanmetal.com - www.kenanmetal.com